

1

2

3

4

5

A

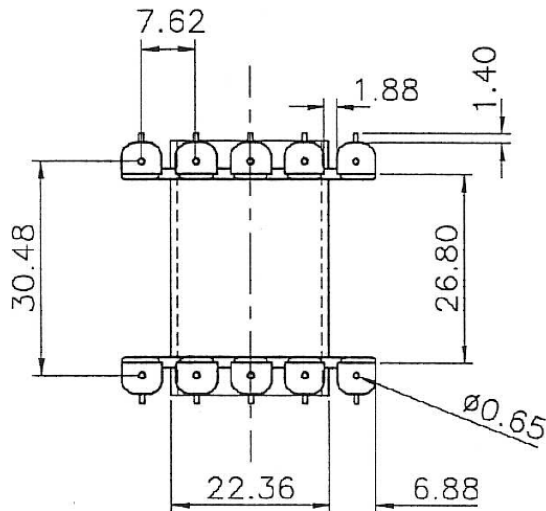
3/4" Square PCB Bobbin

Material: Nylon 66 30% glass filled
Cat. No: 970822-071-1

B

Material: Polyester PBT 30% glass filled V0 rated
Cat. No: 970822-181-1

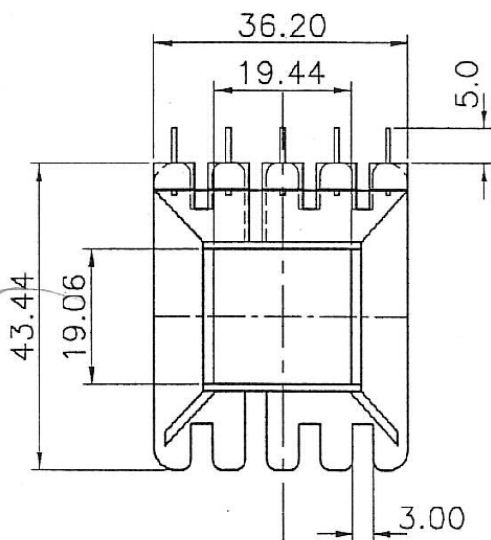
C



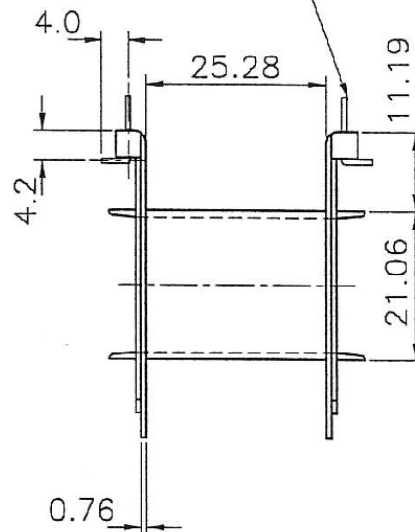
D

$\phi 0.7$ square

E



F

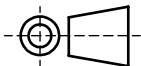


G

 **Marque Magnetics (2000) LTD**

11 Culperry Rd. Glendene
Waitakere 0602
Auckland, New Zealand

Tel: +64 9 8186760
Fax: +64 9 8181442



H

TOLERANCE:

FRACTIONAL \pm
X.X \pm XX
XX.X \pm XX
XXX.X \pm XX

Material:

Size:

Weight:

PART:

120 0.75 IN SQ Plan

DESCRIPTION:

Scale:
1:1

Sheet:
A4

Rev:

NAME

DATE

CREATE

26/05/2016

APPRV

26/05/2016

Note:

THE INFORMATION CONTAINED IN THIS DRAWING IS THE SOLE PROPERTY OF MARQUE MAGNETICS 2000 LTD. ANY REPRODUCTION IN PART OR AS A WHOLE WITHOUT THE WRITTEN PERMISSION OF MARQUE MAGNETICS 2000 LTD IS PROHIBITED.