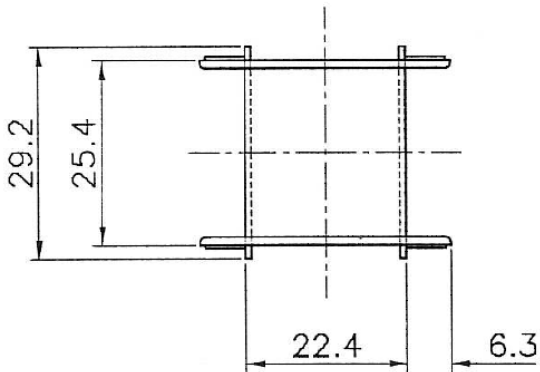
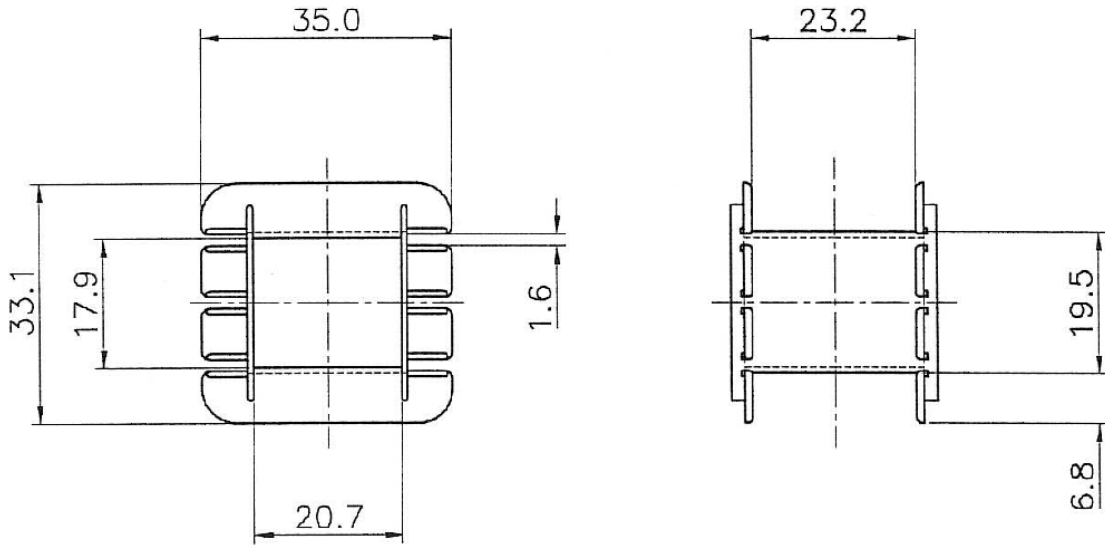


# 1 1/16" x 13/16" Open Slot Bobbin

Material: Nylon 66 30% glass filled  
 Cat. No: 11558-071-1

Material: Polyester PBT 30% glass filled V0 rated  
 Cat. No: 11558-181-1



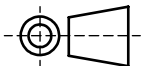
### Laminations:

Beacon 15  
 CAC 130  
 MEA 74  
 Sankey 720083  
 SCOTT 130  
 ATC "F"

### Marque Magnetics (2000) LTD

11 Culperry Rd. Glendene  
 Waitakere 0602  
 Auckland, New Zealand

Tel: +64 9 8186760  
 Fax: +64 9 8181442



### TOLERANCE:

FRACTIONAL ±  
 X.X ± XX  
 XX.X ± XX  
 XXX.X ± XX

Material:

Size:

Weight:

### PART:

130 0.688 x 0.813 IN Plan

### DESCRIPTION:

Scale:  
1:1

Sheet:  
A4

Rev:

NAME

DATE

CREATE

26/05/2016

APPRV

26/05/2016

Note:

THE INFORMATION CONTAINED IN THIS DRAWING IS THE SOLE PROPERTY OF MARQUE MAGNETICS 2000 LTD. ANY REPRODUCTION IN PART OR AS A WHOLE WITHOUT THE WRITTEN PERMISSION OF MARQUE MAGNETICS 2000 LTD IS PROHIBITED.