

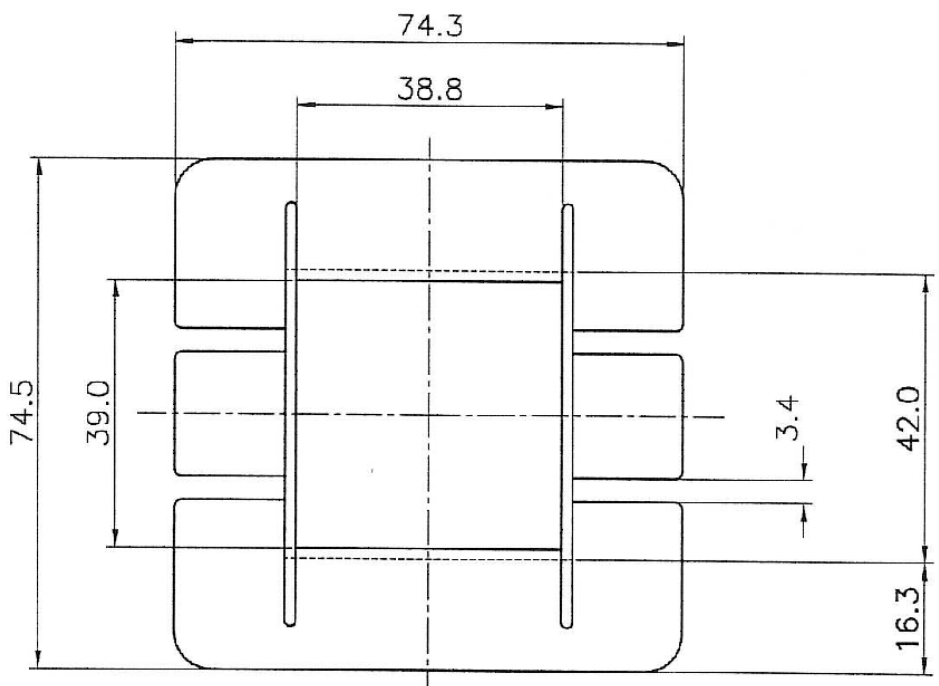
A

# 1 1/2" Square Open Slot Bobbin

Material: Nylon 66    30% glass filled  
 Cat. No: 18763-071-1

Material: Polyester PBT 30% glass filled V0 rated  
 Cat. No: 18763-181-1

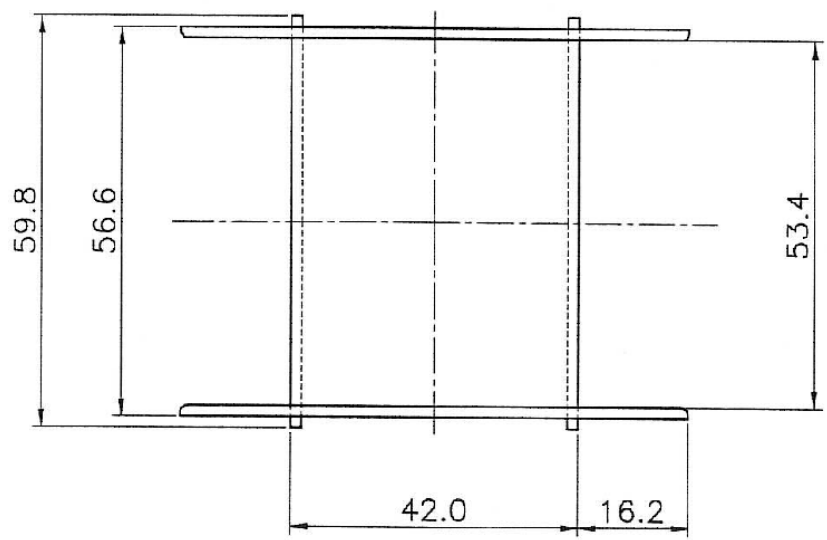
B



C

D

E



F

**Laminations:**  
 Beacon 16  
 CAC 173  
 MEA 120  
 SANKEY 720202  
 ATC "M"

G

Updated 05/12/96

H

**Marque Magnetics (2000) LTD**  
 11 Culperry Rd. Glendene  
 Waitakere 0602  
 Auckland, New Zealand  
 Tel: +64 9 8186760  
 Fax: +64 9 8181442

<b>TOLERANCE:</b>		<b>PART:</b>	
FRACTIONAL ±		173 1.5IN SQ Plan	
X.X ± XX		<b>DESCRIPTION:</b>	
XX.X ± XX			
XXX.X ± XX			
Material:		Scale: 1:1	
Size:		Sheet: A4	
Weight:		Rev:	

	NAME	DATE
CREATE		26/05/2016
APPRV		26/05/2016
Note:		

THE INFORMATION CONTAINED IN THIS DRAWING IS THE SOLE PROPERTY OF MARQUE MAGNETICS 2000 LTD. ANY REPRODUCTION IN PART OR AS A WHOLE WITHOUT THE WRITTEN PERMISSION OF MARQUE MAGNETICS 2000 LTD IS PROHIBITED.