

1

2

3

4

5

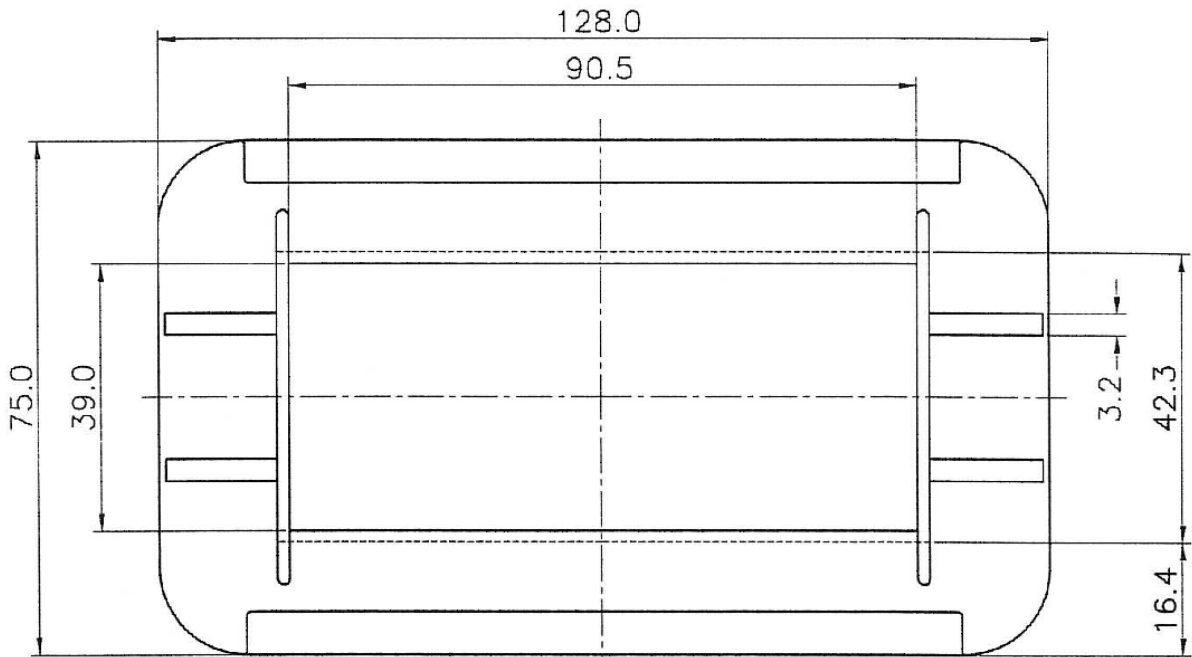
A

# 1 1/2" x 90 mm Bobbin

Material: Nylon 66 30% glass filled  
Cat. No: 24321-071-1

Material: Polyester PBT 30% glass filled V0 rated  
Cat. No: 24321-181-1

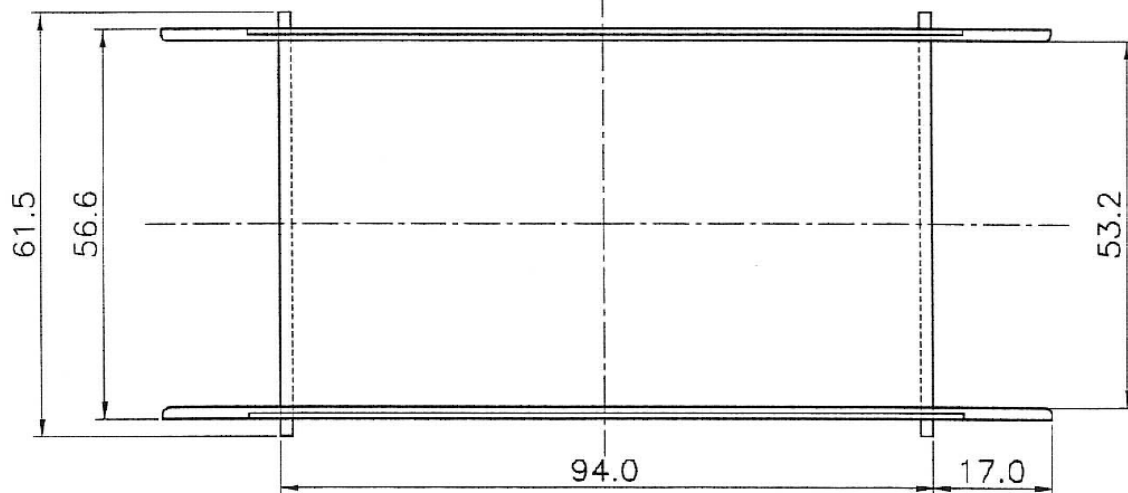
B



C

D

E



F

G

Updated 05/08/98

**Laminations:**

Beacon 16  
CAC 173A  
MEA 120

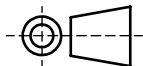
SANKEY 720202  
ATC "M"

H

**Marque Magnetics (2000) LTD**

11 Culperry Rd. Glendene  
Waitakere 0602  
Auckland, New Zealand

Tel: +64 9 8186760  
Fax: +64 9 8181442



**TOLERANCE:**

FRACTIONAL ±  
X.X ± XX  
XX.X ± XX  
XXX.X ± XX

Material:

Size:

Weight:

**PART:**

173 1.5x3.5IN Plan

**DESCRIPTION:**

Scale:  
1:1

Sheet:  
A4

Rev:

NAME

DATE

CREATE

26/05/2016

APPRV

26/05/2016

Note:

THE INFORMATION CONTAINED IN THIS DRAWING IS THE SOLE PROPERTY OF MARQUE MAGNETICS 2000 LTD. ANY REPRODUCTION IN PART OR AS A WHOLE WITHOUT THE WRITTEN PERMISSION OF MARQUE MAGNETICS 2000 LTD IS PROHIBITED.