

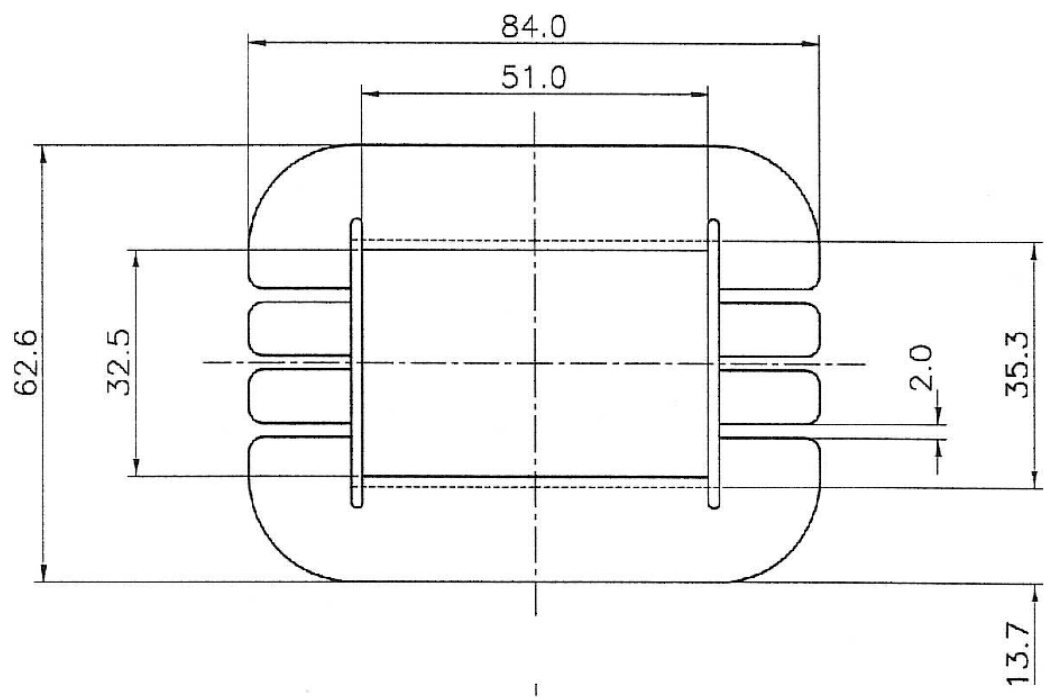
A

1 1/4" x 50 mm Open Slot Bobbin

Material: Nylon 66 30% glass filled  
 Cat. No: 16696-071-1

Material: Polyester PBT 30% glass filled V0 rated  
 Cat. No: 16696-181-1

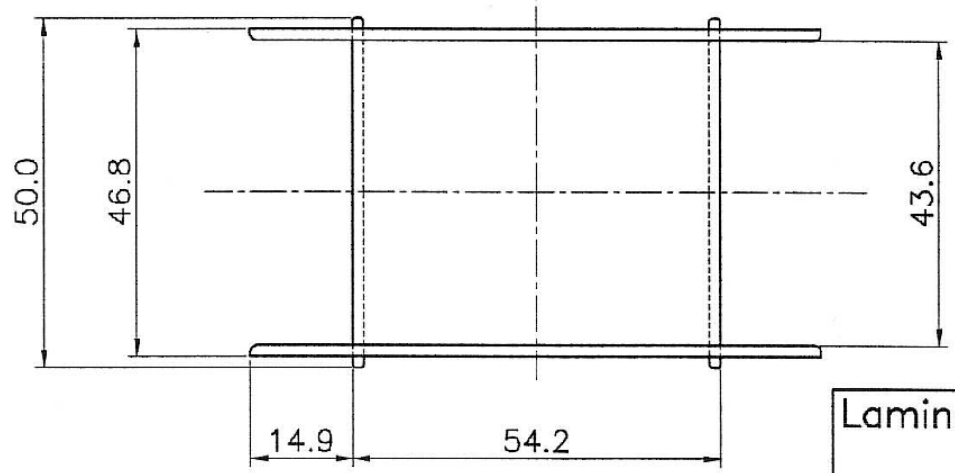
B



C

D

E



F

G

Updated 03/12/96

**Laminations:**  
 Beacon 5  
 CAC 174  
 MEA 78  
 SANKEY 720150  
 ATC "K"

H

**Marque Magnetics (2000) LTD**  
 11 Culperry Rd. Glendene  
 Waitakere 0602  
 Auckland, New Zealand  
 Tel: +64 9 8186760  
 Fax: +64 9 8181442

<b>TOLERANCE:</b> FRACTIONAL ± X.X ± XX XX.X ± XX XXX.X ± XX		<b>PART:</b> 174 1.25x3IN Plan	
Material:		<b>DESCRIPTION:</b>	
Size:		Scale: 1:1	Sheet: A4
Weight:		Rev:	

	NAME	DATE
CREATE		26/05/2016
APPRV		26/05/2016
Note:		

THE INFORMATION CONTAINED IN THIS DRAWING IS THE SOLE PROPERTY OF MARQUE MAGNETICS 2000 LTD. ANY REPRODUCTION IN PART OR AS A WHOLE WITHOUT THE WRITTEN PERMISSION OF MARQUE MAGNETICS 2000 LTD IS PROHIBITED.