

1

2

3

4

5

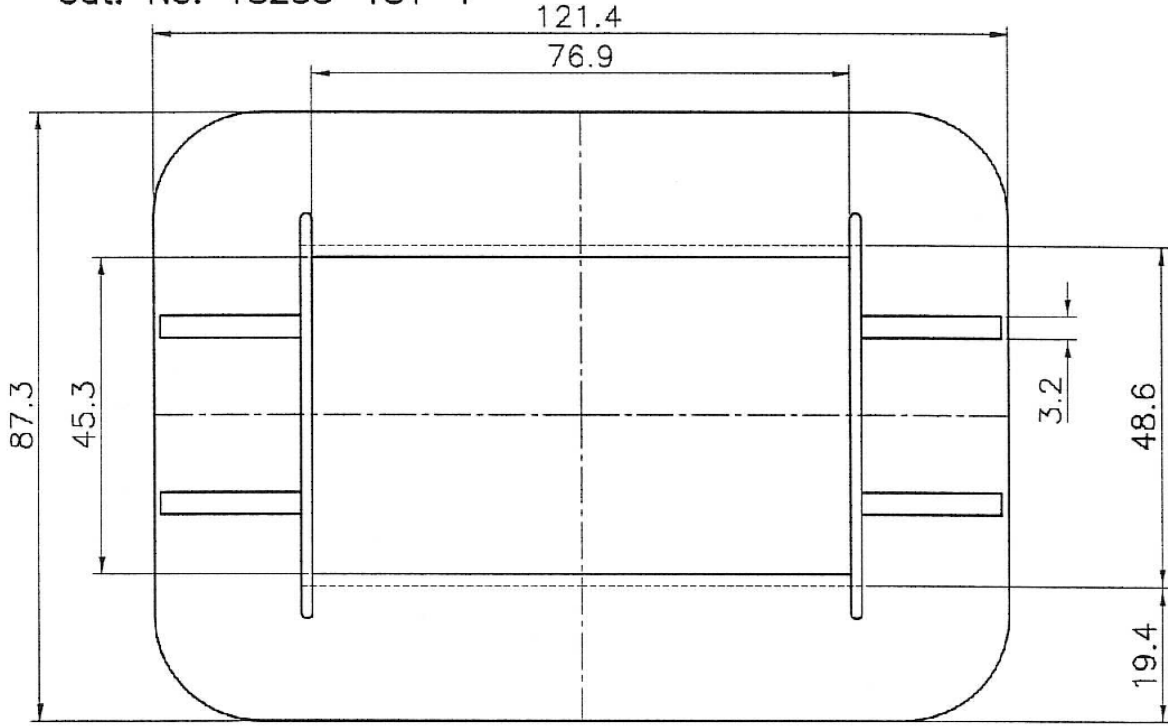
A

1 3/4" x 3" Bobbin

Material: Nylon 66 30% glass filled
Cat. No: 18233-071-1

Material: Polyester PBT 30% glass filled V0 rated
Cat. No: 18233-181-1

B

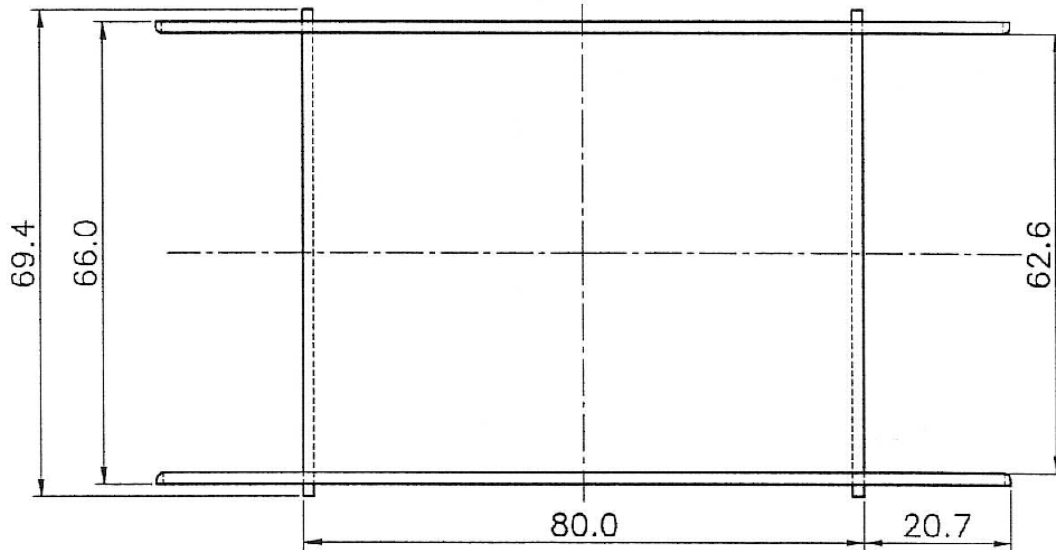


C

D

E

F



G

Updated 24/12/96

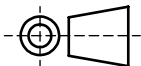
Laminations:	
MEA 220	SANKEY 720201
CAC 180A	ATC "N"

H

Marque Magnetics (2000) LTD

11 Culperry Rd. Glendene
Waitakere 0602
Auckland, New Zealand

Tel: +64 9 8186760
Fax: +64 9 8181442



TOLERANCE:

FRACTIONAL ±
X.X ± XX
XX.X ± XX
XXX.X ± XX

Material:

Size:

Weight:

PART:

180 1.75x3IN Plan

DESCRIPTION:

Scale: 1:1

Sheet: A4

Rev:

	NAME	DATE
CREATE		26/05/2016
APPRV		26/05/2016
Note:		

THE INFORMATION CONTAINED IN THIS DRAWING IS THE SOLE PROPERTY OF MARQUE MAGNETICS 2000 LTD. ANY REPRODUCTION IN PART OR AS A WHOLE WITHOUT THE WRITTEN PERMISSION OF MARQUE MAGNETICS 2000 LTD IS PROHIBITED.