

1

2

3

4

5

A

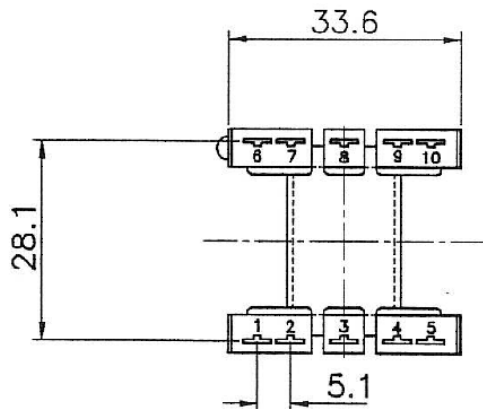
# 9/16" Square P.C.B Bobbin

Material: Nylon 66 30% glass filled  
Cat. No: 19755-071-1

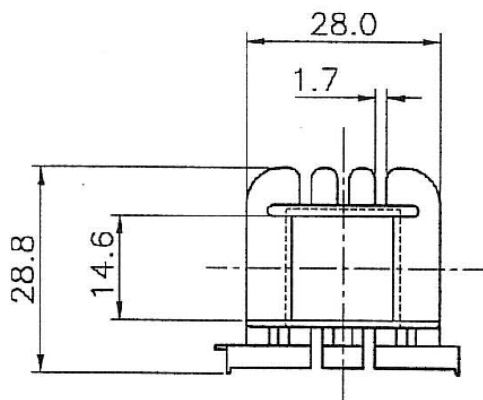
Material: Polyester PBT 30% glass filled V0 rated  
Cat. No: 19755-181-1

B

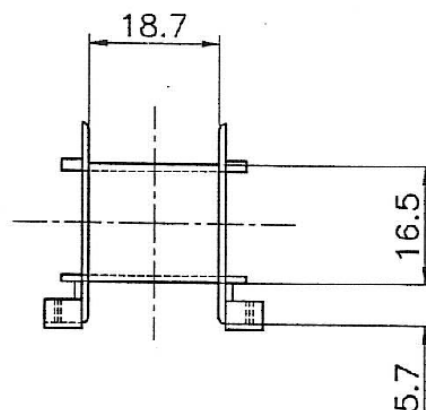
C



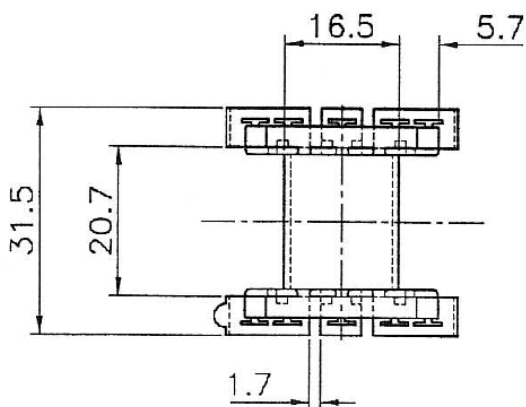
D



E



F



G

## Laminations:

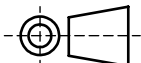
BEACON 00  
CAC 212  
MEA 18  
Sankey 720084  
ATC "E"

H

### Marque Magnetics (2000) LTD

11 Culperry Rd. Glendene  
Waitakere 0602  
Auckland, New Zealand

Tel: +64 9 8186760  
Fax: +64 9 8181442



### TOLERANCE:

FRACTIONAL ±  
X.X ± XX  
XX.X ± XX  
XXX.X ± XX

Material:

Size:

Weight:

### PART:

212 0.563IN SQ Plan

### DESCRIPTION:

Scale:  
1:1

Sheet:  
A4

Rev:

NAME

DATE

CREATE

26/05/2016

APPRV

26/05/2016

Note:

THE INFORMATION CONTAINED IN THIS DRAWING IS THE SOLE PROPERTY OF MARQUE MAGNETICS 2000 LTD. ANY REPRODUCTION IN PART OR AS A WHOLE WITHOUT THE WRITTEN PERMISSION OF MARQUE MAGNETICS 2000 LTD IS PROHIBITED.