

1

2

3

4

5

A

# 1" Square Open Slot Bobbin

Material: Nylon 66 30% glass filled  
Cat. No: 38104-071-1

Material: Polyester PBT 30% glass filled V0 rated  
Cat. No: 38104-181-1

B

C

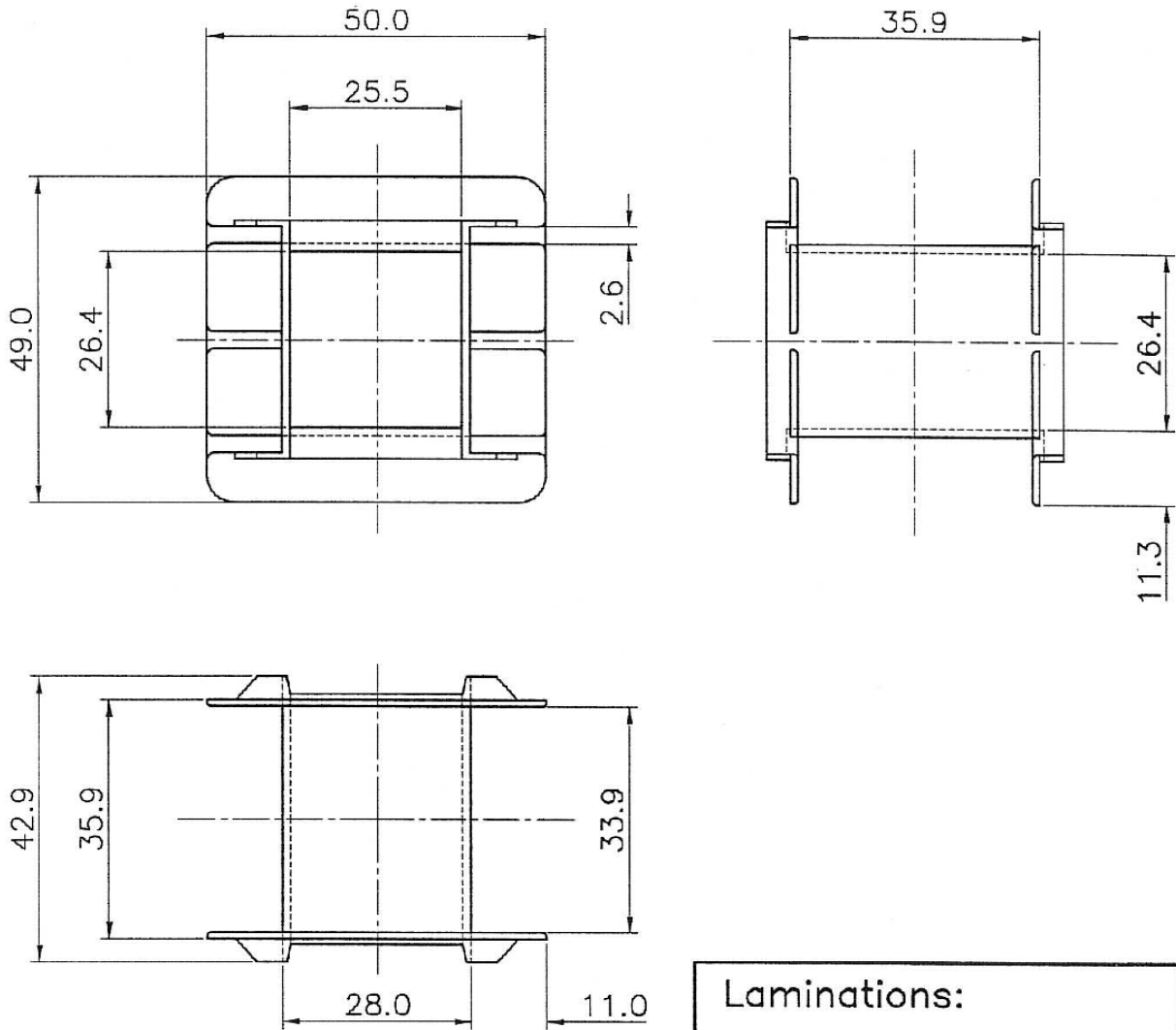
D

E

F

G

H

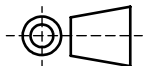


Updated 10/12/96

**Marque Magnetics (2000) LTD**

11 Culperry Rd. Glendene  
Waitakere 0602  
Auckland, New Zealand

Tel: +64 9 8186760  
Fax: +64 9 8181442



**TOLERANCE:**

FRACTIONAL ±  
X.X ± XX  
XX.X ± XX  
XXX.X ± XX

Material:

Size:

Weight:

**PART:**

43 1x1 IN Plan

**DESCRIPTION:**

Scale:  
1:1

Sheet:  
A4

Rev:

NAME

DATE

CREATE

26/05/2016

APPRV

26/05/2016

Note:

THE INFORMATION CONTAINED IN THIS DRAWING IS THE SOLE PROPERTY OF MARQUE MAGNETICS 2000 LTD. ANY REPRODUCTION IN PART OR AS A WHOLE WITHOUT THE WRITTEN PERMISSION OF MARQUE MAGNETICS 2000 LTD IS PROHIBITED.