

1

2

3

4

5

A

1" x 1.7" Open Slot Bobbin

Material: Nylon 66 30% glass filled
Cat. No: 21547-071-1

Material: Polyester PBT 30% glass filled V0 rated
Cat. No: 21547-181-1

B

C

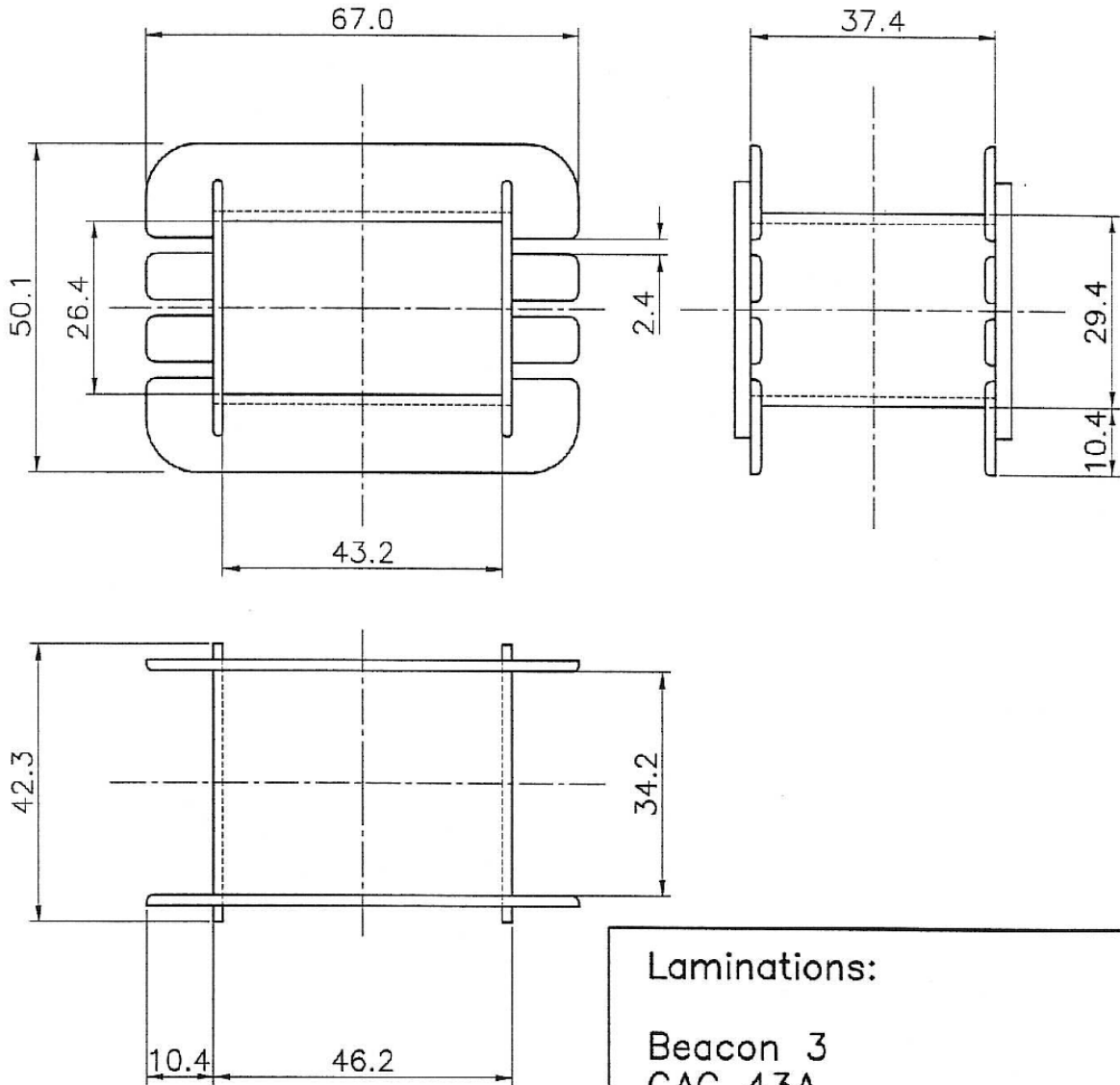
D

E

F

G

H



Laminations:

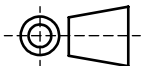
Beacon 3
 CAC 43A
 MEA 29A
 SANKEY 720186-138
 SCOTT 43A
 ATC "1"

Updated 29/11/96

Marque Magnetics (2000) LTD

11 Culperry Rd. Glendene
Waitakere 0602
Auckland, New Zealand

Tel: +64 9 8186760
Fax: +64 9 8181442



TOLERANCE:

FRACTIONAL ±
X.X ± XX
XX.X ± XX
XXX.X ± XX

Material:

Size:

Weight:

PART:

43 1x1.7 IN Plan

DESCRIPTION:

Scale:

1:1

Sheet:

A4

Rev:

NAME

DATE

CREATE

26/05/2016

APPRV

26/05/2016

Note:

THE INFORMATION CONTAINED IN THIS DRAWING IS THE SOLE PROPERTY OF MARQUE MAGNETICS 2000 LTD. ANY REPRODUCTION IN PART OR AS A WHOLE WITHOUT THE WRITTEN PERMISSION OF MARQUE MAGNETICS 2000 LTD IS PROHIBITED.