

A

1

2

3

4

5

6

7

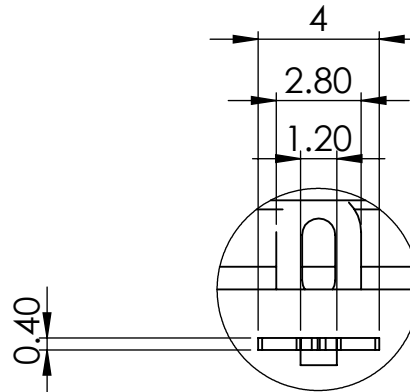
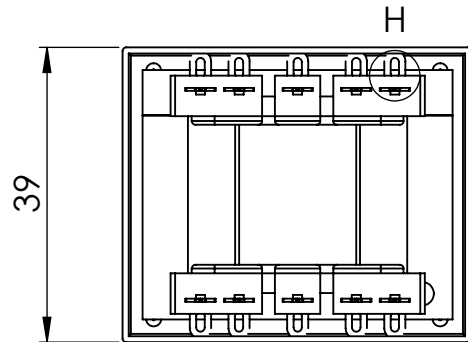
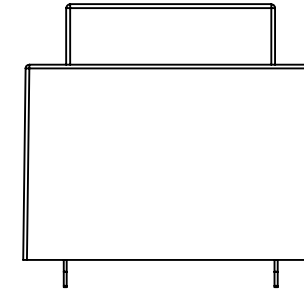
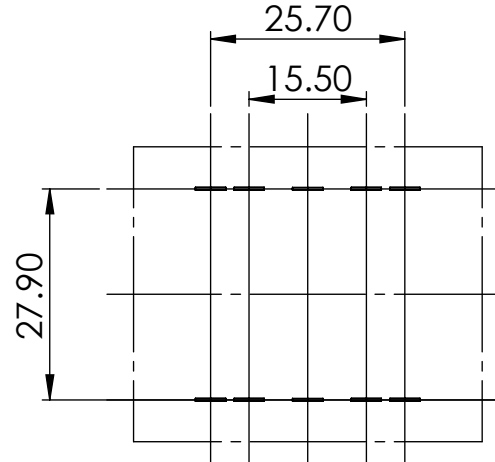
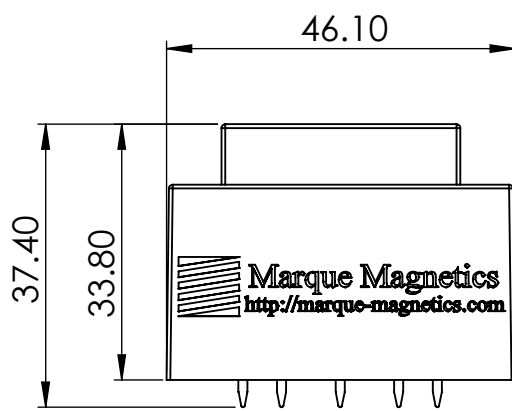
B

C

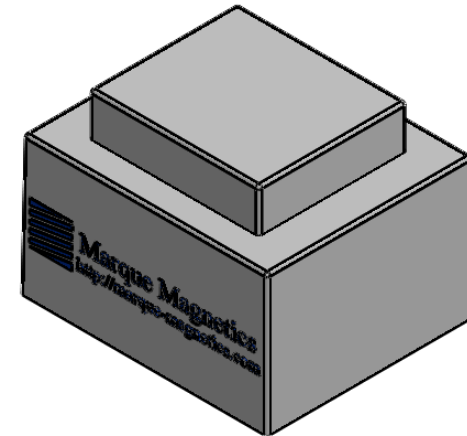
D

E

F



DETAIL H
SCALE 4 : 1



Marque Magnetics (2000) LTD
 11 Culperry Rd. Glendene
 Waitakere 0602
 Auckland, New Zealand
 Tel: +64 9 8186760
 Fax: +64 9 8181442

	NAME	DATE
CREATE	RL	15/01/2016
APPRV	LL	15/01/2016
Note: Pin symmetrically distributed		

TOLERANCE:	
FRACTIONAL ±	
X.X ± XX	
XX.X ± XX	
XXX.X ± XX	
Material:	
Size:	
Weight:	

PART : EI43x14.5 Assembly		
DESCRIPTION:		
Scale: 1:1	Sheet: A4	Rev: