

A

1

2

3

4

5

6

7

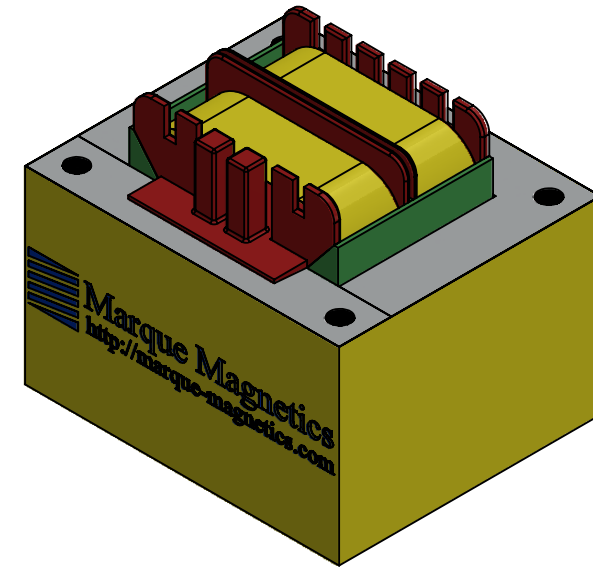
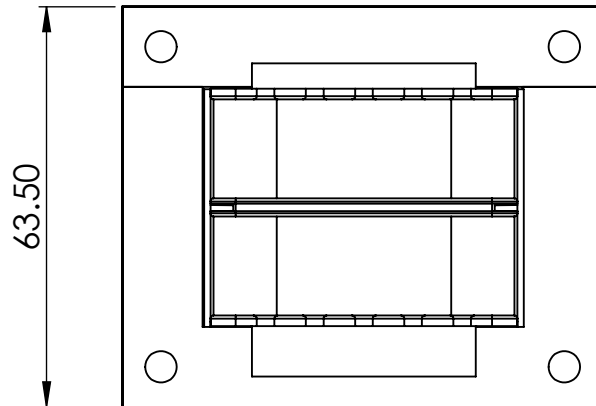
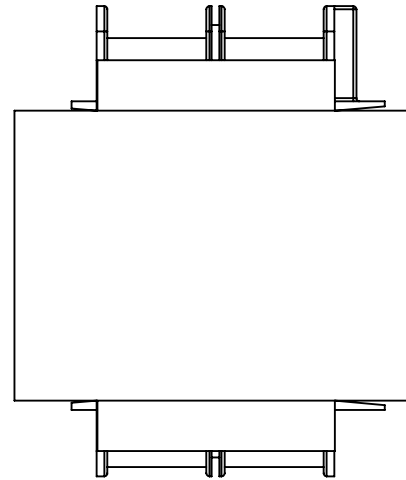
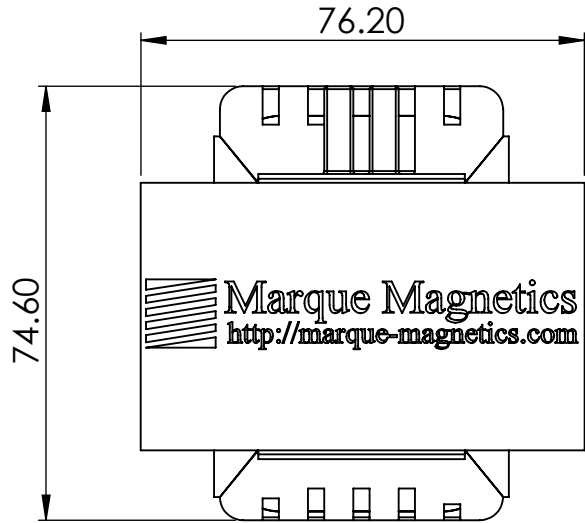
B

C

D

E

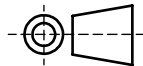
F



 **Marque Magnetics (2000) LTD**

11 Culperry Rd. Glendene
Waitakere 0602
Auckland, New Zealand

Tel: +64 9 8186760
Fax: +64 9 8181442



	NAME	DATE
CREATE	RL	15/01/2016
APPRV	LL	15/01/2016
Note:		

TOLERANCE:

FRACTIONAL ±
X.X ± XX
XX.X ± XX
XXX.X ± XX

Material:

Size:

Weight:

PART : EI76x46 Assembly

DESCRIPTION:

Scale: 1:1.3

Sheet: A4

Rev: