

A

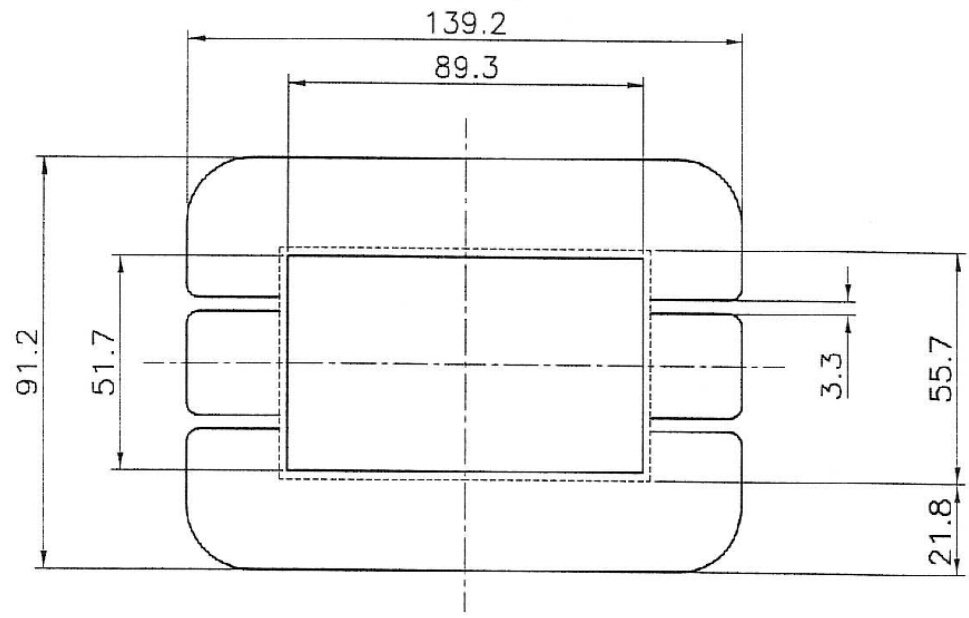
2" x 3 1/2" Open Slot Bobbin

Material: Nylon 66 30% glass filled
 Cat. No: 10409-071-1

B

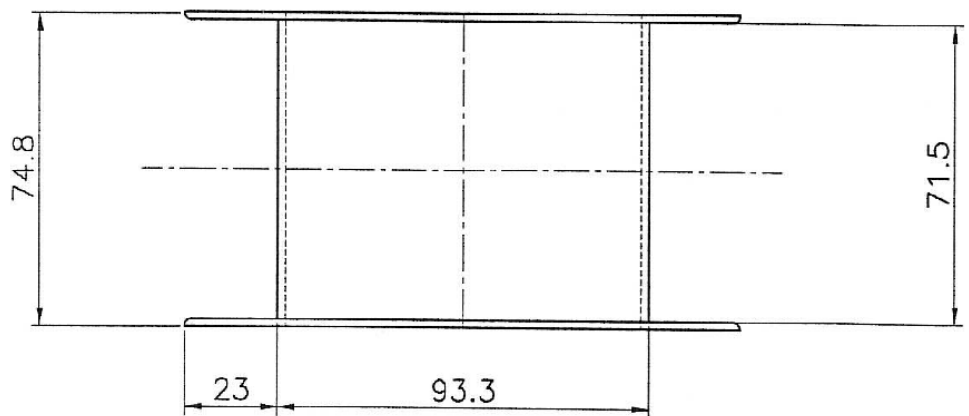
Material: Polyester PBT 30% glass filled V0 rated
 Cat. No: 10409-181-1

C



D

E



F

G

SCALE: 60% FULL SIZE
 Updated 05/08/98

Laminations:
 SANKEY, 720191
 ATC "P"

H

Marque Magnetics (2000) LTD
 11 Culperry Rd. Glendene
 Waitakere 0602
 Auckland, New Zealand
 Tel: +64 9 8186760
 Fax: +64 9 8181442

TOLERANCE:		PART:	
FRACTIONAL ±		P 2x3.5IN Plan	
X.X ± XX		DESCRIPTION:	
XX.X ± XX			
XXX.X ± XX			
Material:			
Size:		Scale:	Sheet:
Weight:		1:1	A4
		Rev:	

	NAME	DATE
CREATE		26/05/2016
APPRV		26/05/2016
Note:		

THE INFORMATION CONTAINED IN THIS DRAWING IS THE SOLE PROPERTY OF MARQUE MAGNETICS 2000 LTD. ANY REPRODUCTION IN PART OR AS A WHOLE WITHOUT THE WRITTEN PERMISSION OF MARQUE MAGNETICS 2000 LTD IS PROHIBITED.