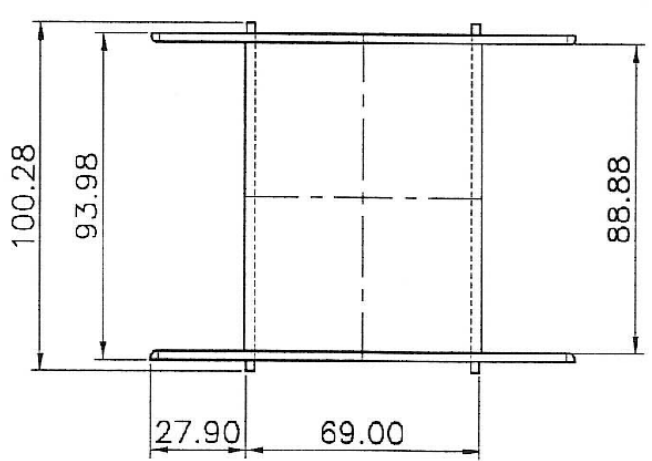
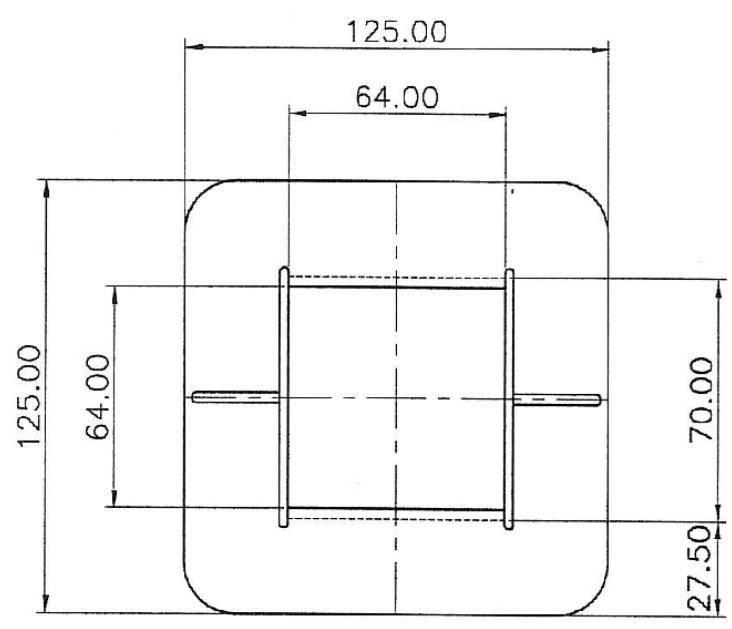


A
B
C
D
E
F
G
H

2 1/2" Square Bobbin

Material: Nylon 66 30% glass filled
Cat. No: 22581-071-1

Material: Polyester PBT 30% glass filled V0 rated
Cat. No: 22581-181-1



Laminations:

Beacon 11
M.E.A. 41A
Scott 213A
ATC "Q"

Marque Magnetics (2000) LTD
11 Culperry Rd. Glendene
Waitakere 0602
Auckland, New Zealand

Tel: +64 9 8186760
Fax: +64 9 8181442

TOLERANCE:
FRACTIONAL ±
X.X ± XX
XX.X ± XX
XXX.X ± XX

PART:
Q 2.5IN SQ Plan

DESCRIPTION:

Material:
Size:
Weight:

Scale: 1:1
Sheet: A4
Rev:

	NAME	DATE
CREATE		26/05/2016
APPRV		26/05/2016
Note:		

THE INFORMATION CONTAINED IN THIS DRAWING IS THE SOLE PROPERTY OF MARQUE MAGNETICS 2000 LTD. ANY REPRODUCTION IN PART OR AS A WHOLE WITHOUT THE WRITTEN PERMISSION OF MARQUE MAGNETICS 2000 LTD IS PROHIBITED.