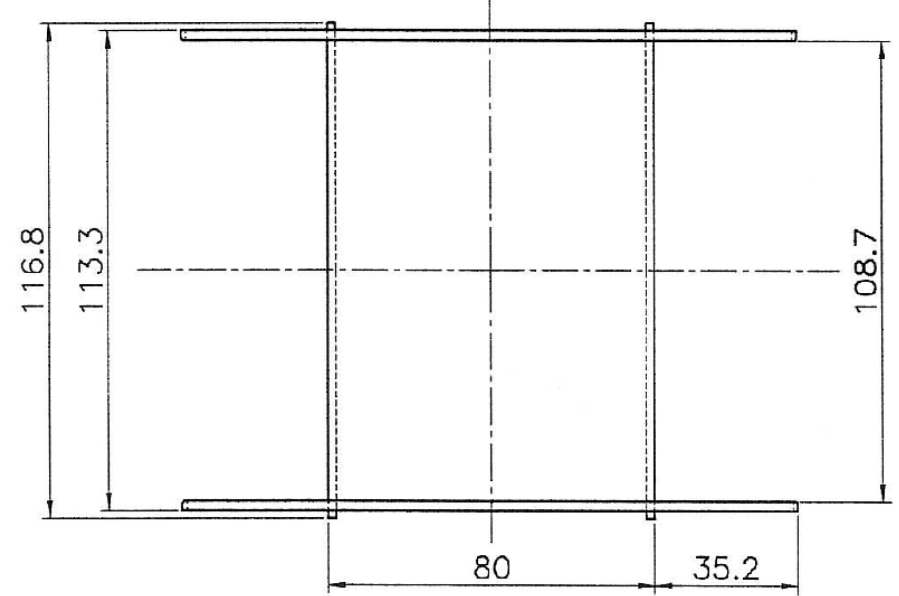
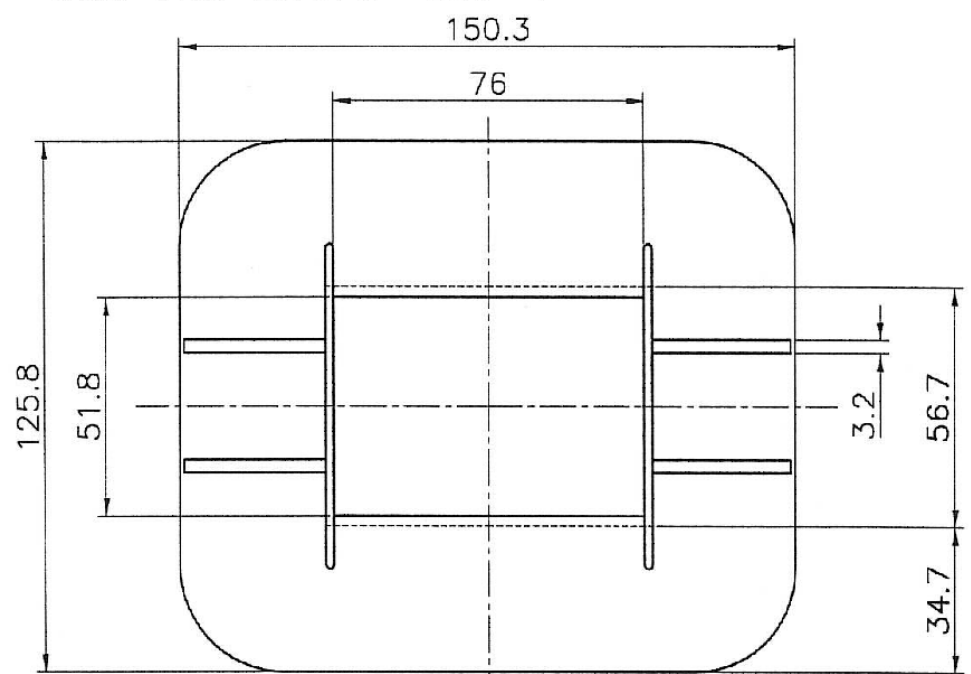


# 2" x 3" Bobbin

Material: Nylon 66 30% glass filled  
 Cat. No: 20975-071-1

Material: Polyester PBT 30% glass filled V0 rated  
 Cat. No: 20975-181-1



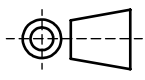
**Laminations:**  
 BEACON 10  
 CAC 276A  
 MEA 87A  
 SANKEY  
 ATC "P"

SCALE: 60% FULL SIZE  
 Updated 05/12/96

**Marque Magnetics (2000) LTD**

11 Culperry Rd. Glendene  
 Waitakere 0602  
 Auckland, New Zealand

Tel: +64 9 8186760  
 Fax: +64 9 8181442



<b>TOLERANCE:</b>		<b>PART:</b>	
FRACTIONAL ±		Q 2.5x3IN Plan	
X.X ± XX		<b>DESCRIPTION:</b>	
XX.X ± XX			
XXX.X ± XX			
Material:		Scale:	Sheet:
Size:		1:1	A4
Weight:		Rev:	

	NAME	DATE
CREATE		26/05/2016
APPRV		26/05/2016
Note:		

THE INFORMATION CONTAINED IN THIS DRAWING IS THE SOLE PROPERTY OF MARQUE MAGNETICS 2000 LTD. ANY REPRODUCTION IN PART OR AS A WHOLE WITHOUT THE WRITTEN PERMISSION OF MARQUE MAGNETICS 2000 LTD IS PROHIBITED.