

A

1

2

3

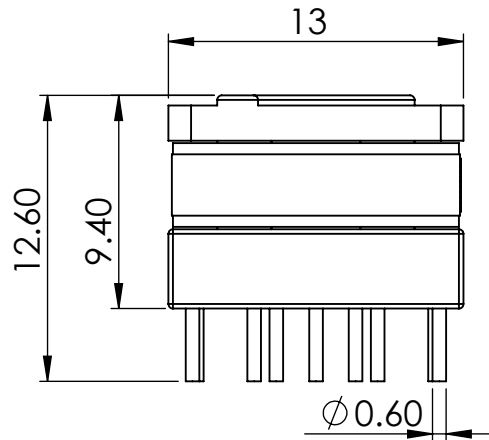
4

5

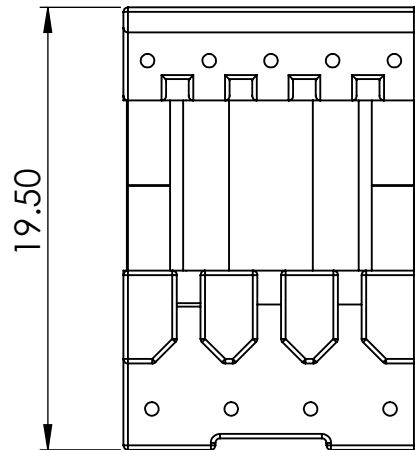
6

7

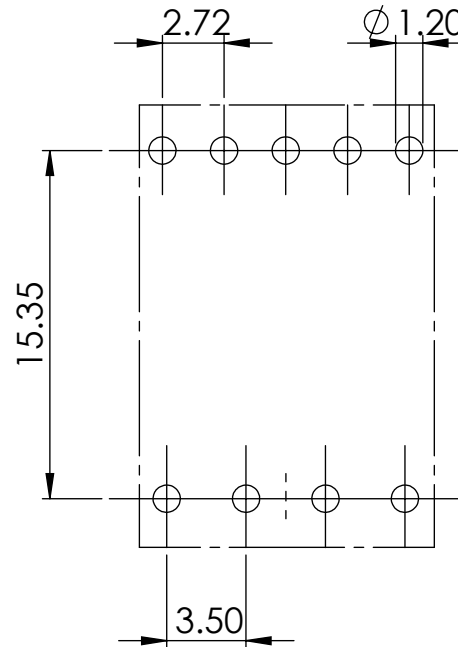
B



C



D

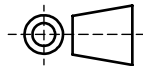


E

 **Marque Magnetics (2000) LTD**

11 Culperry Rd. Glendene  
Waitakere 0602  
Auckland, New Zealand

Tel: +64 9 8186760  
Fax: +64 9 8181442



F

	NAME	DATE
CREATE	RL	25/01/2016
APPRV	LL	25/01/2016
Note: Pin evenly distributed on each side		

**TOLERANCE:**

FRACTIONAL ±  
X.X ± XX  
XX.X ± XX  
XXX.X ± XX

Material:

Size:

Weight:

**PART : E12.6 Transformer Assembly****DESCRIPTION:**