

A

1

2

3

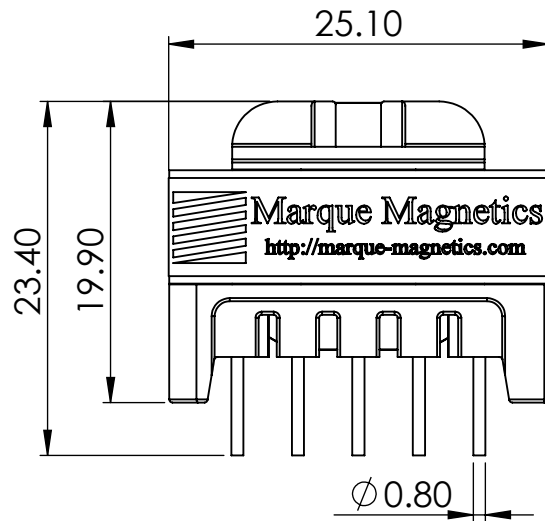
4

5

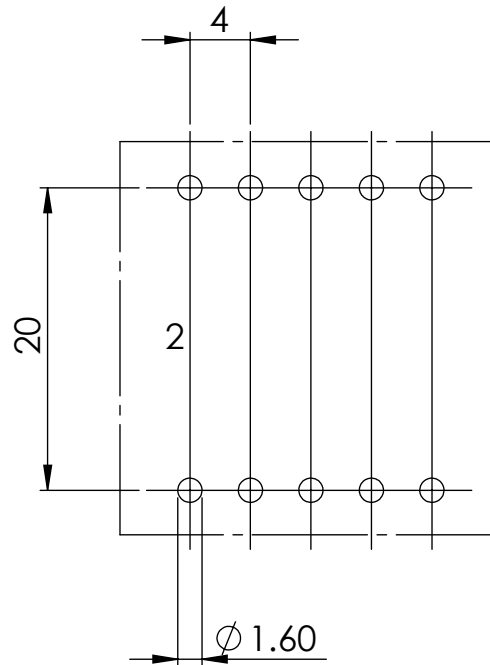
6

7

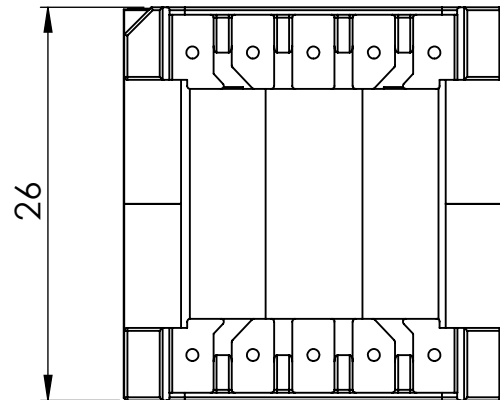
B



C

 $\phi 0.80$


D

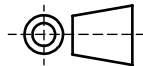


E

Marque Magnetics (2000) LTD

11 Culperry Rd. Glendene
Waitakere 0602
Auckland, New Zealand

Tel: +64 9 8186760
Fax: +64 9 8181442



F

	NAME	DATE
CREATE	RL	25/01/2016
APPRV	LL	25/01/2016
Note: Pin evenly distributed		

TOLERANCE:

FRACTIONAL ±
X.X ± XX
XX.X ± XX
XXX.X ± XX

Material:

Size:

Weight:

PART : EF 25 Transformer Assembly

DESCRIPTION:

Scale: 2:1

Sheet: A4

Rev: