

A

1

2

3

4

5

6

7

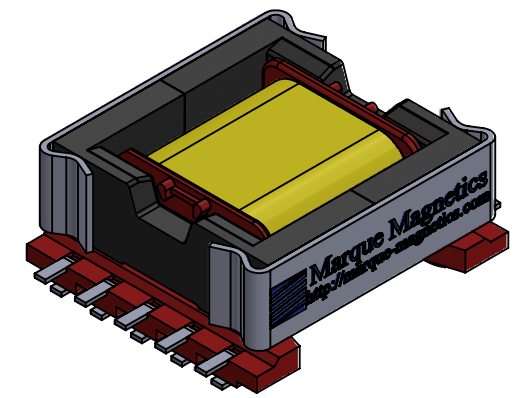
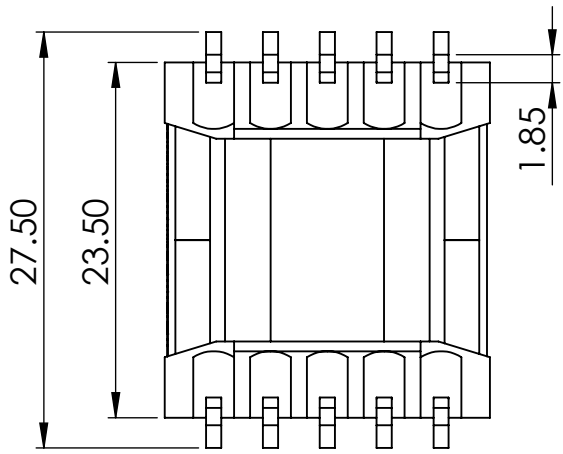
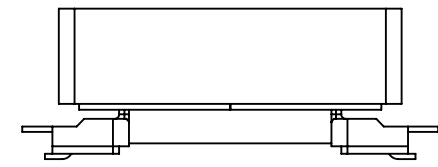
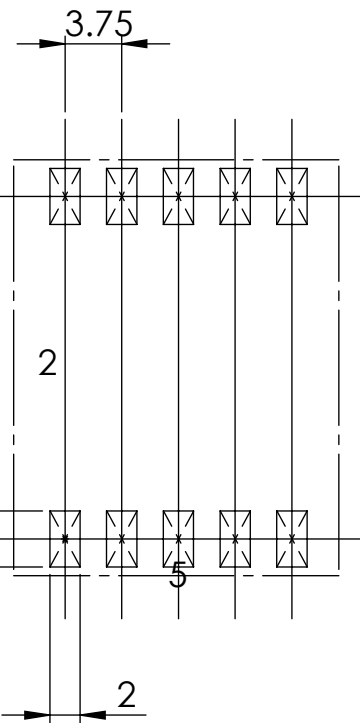
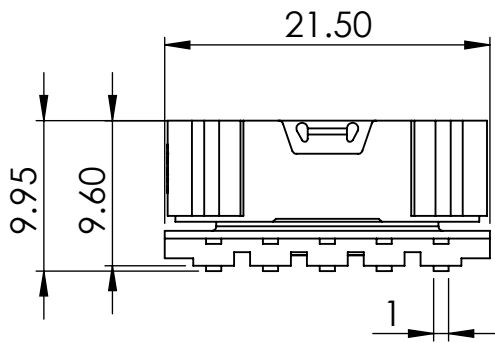
B

C

D

E

F



Marque Magnetics (2000) LTD
 11 Culperry Rd. Glendene
 Waitakere 0602
 Auckland, New Zealand
 Tel: +64 9 8186760
 Fax: +64 9 8181442

	NAME	DATE
CREATE	RL	25/01/2016
APPRV	LL	25/01/2016
Note: Pin evenly distributed		

TOLERANCE: FRACTIONAL ± XX ± XX XX.X ± XX XXX.X ± XX		PART : EFD20 SMD Transformer Assembly	
Material:		DESCRIPTION:	
Size:			
Weight: 2.79	Scale: 2:1	Sheet: A4	Rev:

THE INFORMATION CONTAINED IN THIS DRAWING IS THE SOLE PROPERTY OF MARQUE MAGNETICS 2000 LTD. ANY REPRODUCTION IN PART OR AS A WHOLE WITHOUT THE WRITTEN PERMISSION OF MARQUE MAGNETICS 2000 LTD IS PROHIBITED.