

A

1

2

3

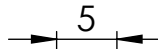
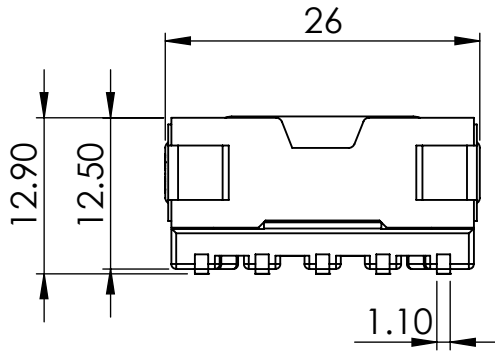
4

5

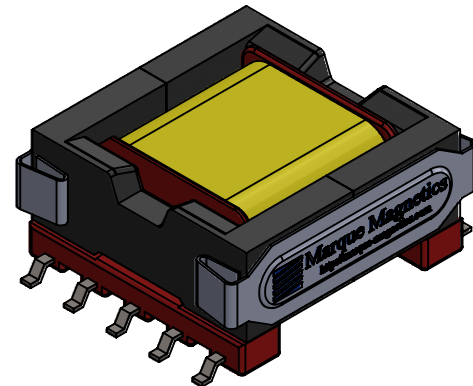
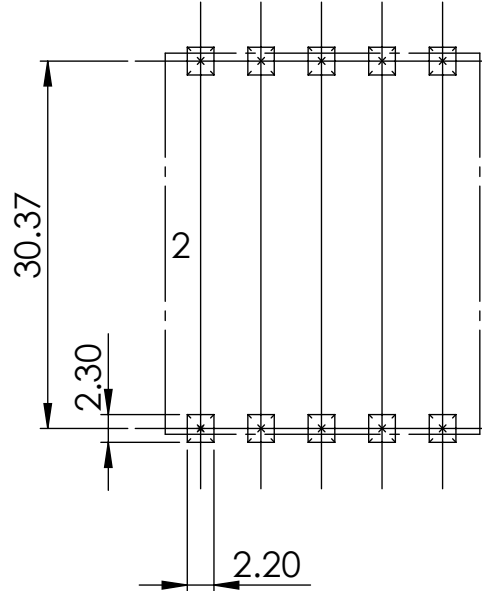
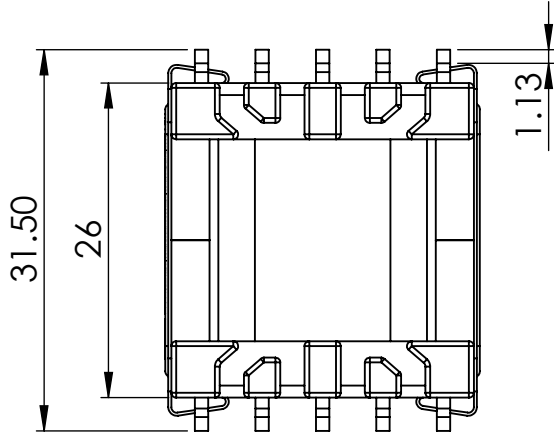
6

7

B



C



D

E

Marque Magnetics (2000) LTD
 11 Culperry Rd. Glendene
 Waitakere 0602
 Auckland, New Zealand
 Tel: +64 9 8186760
 Fax: +64 9 8181442

	NAME	DATE
CREATE	RL	25/01/2016
APPRV	LL	25/01/2016
Note: Pin evenly distributed		

TOLERANCE: FRACTIONAL ± X.X ± XX XX.X ± XX XXX.X ± XX
Material:
Size:
Weight: 5.54

PART : EFD25 SMD Transformer Assembly
DESCRIPTION:
Scale: 1.6:1 Sheet: A4 Rev:

F