

A

1

2

3

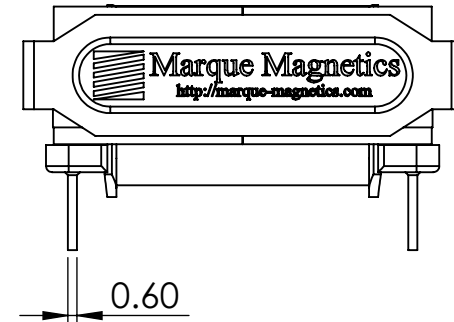
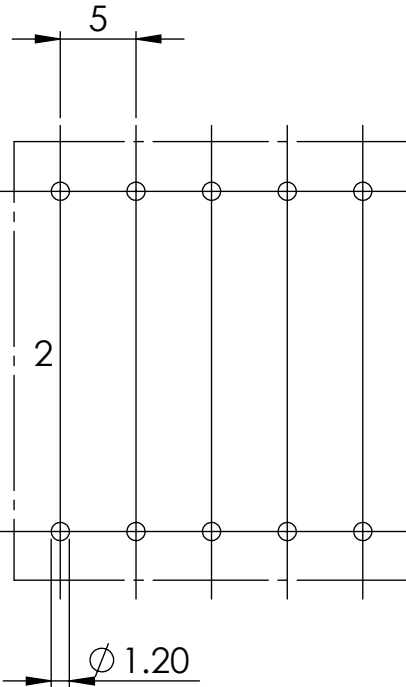
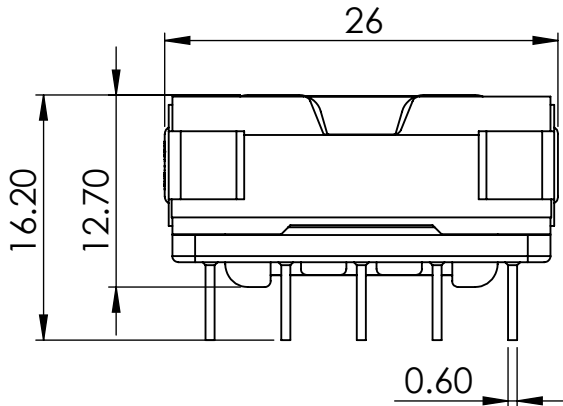
4

5

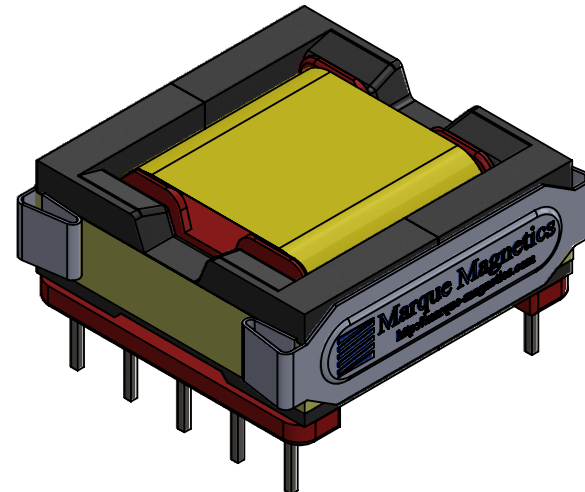
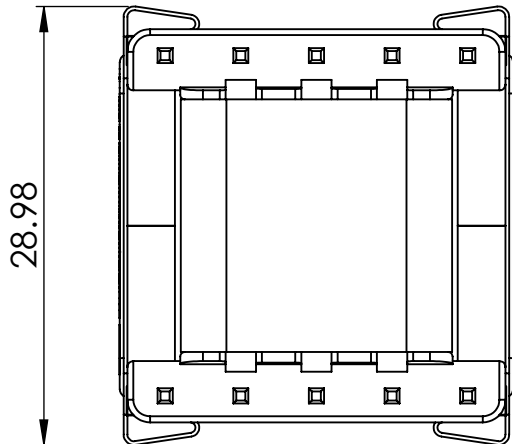
6

7

B



C



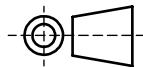
D

E

 **Marque Magnetics (2000) LTD**

11 Culperry Rd. Glendene
Waitakere 0602
Auckland, New Zealand

Tel: +64 9 8186760
Fax: +64 9 8181442



F

	NAME	DATE
CREATE	RL	25/01/2016
APPRV	LL	25/01/2016
Note: Pin evenly distributed		

TOLERANCE:		PART : EFD25 TH Transformer Assembly	
FRACTIONAL ±		DESCRIPTION:	
X.X ± XX			
XX.X ± XX			
XXX.X ± XX			
Material:		Scale: 2:1 Sheet: A4 Rev:	
Size:			
Weight: 5.20			