

A

1

2

3

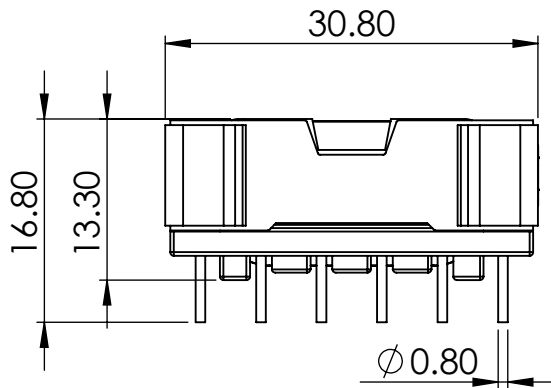
4

5

6

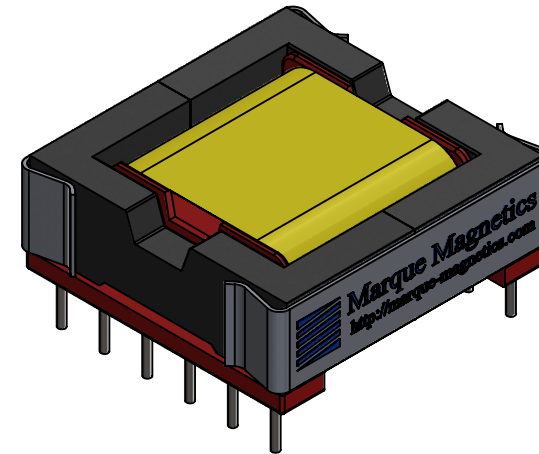
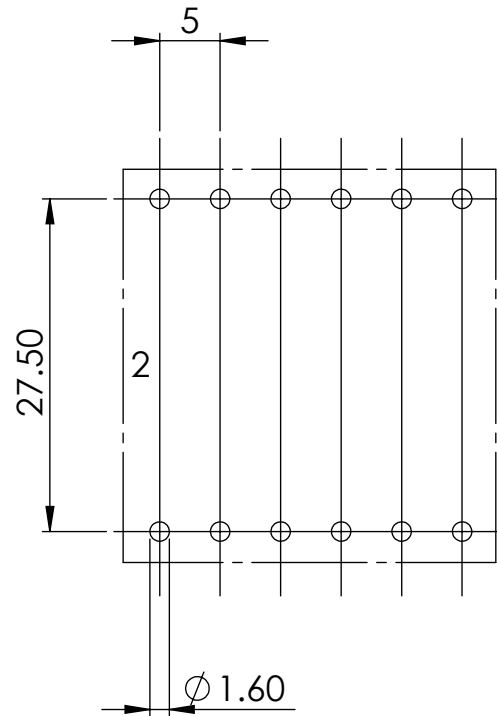
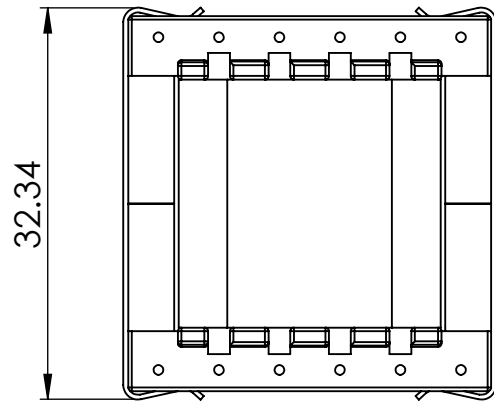
7

B



C

D

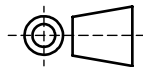


E

 **Marque Magnetics (2000) LTD**

11 Culperry Rd. Glendene
Waitakere 0602
Auckland, New Zealand

Tel: +64 9 8186760
Fax: +64 9 8181442



F

	NAME	DATE
CREATE	RL	21/01/2016
APPRV	LL	21/01/2016
Note: Pin evenly distributed		

TOLERANCE:

FRACTIONAL ±
X.X ± XX
XX.X ± XX
XXX.X ± XX

Material:

Size:

Weight: 52.25

PART : EFD30 TH Transformer Assembly

DESCRIPTION:

Scale: 1.6:1 Sheet: A4

Rev: