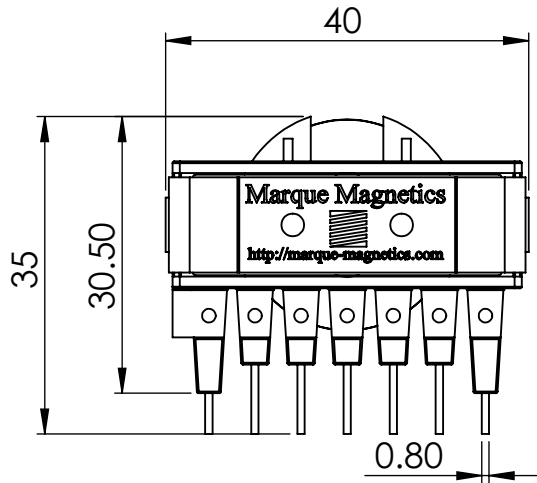


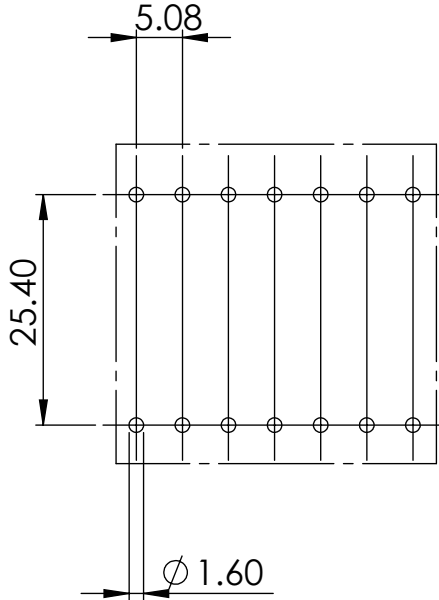
A

1 2 3 4 5 6 7

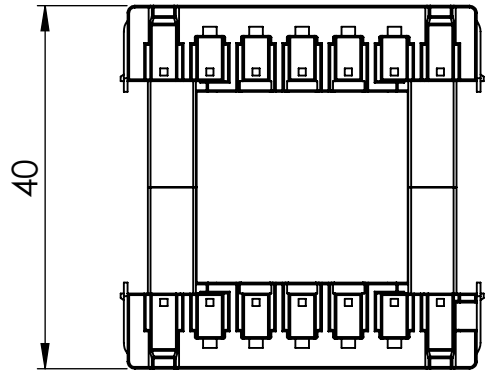
B



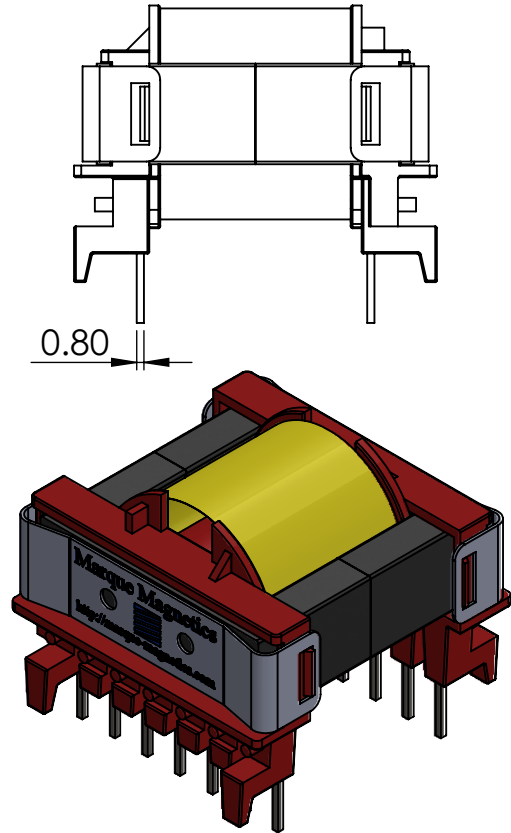
C



D



E



F

Marque Magnetics (2000) LTD
 11 Culperry Rd. Glendene
 Waitakere 0602
 Auckland, New Zealand
 Tel: +64 9 8186760
 Fax: +64 9 8181442

	NAME	DATE
CREATE	RL	26/01/2016
APPRV	LL	26/01/2016
Note: Pin evenly distributed		

TOLERANCE: FRACTIONAL ± X.X ± XX XX.X ± XX XXX.X ± XX		PART : ETD34 H Transformer Assembly	
Material:		DESCRIPTION:	
Size:			
Weight: 15.23	Scale: 1.2:1	Sheet: A4	Rev:

THE INFORMATION CONTAINED IN THIS DRAWING IS THE SOLE PROPERTY OF MARQUE MAGNETICS 2000 LTD. ANY REPRODUCTION IN PART OR AS A WHOLE WITHOUT THE WRITTEN PERMISSION OF MARQUE MAGNETICS 2000 LTD IS PROHIBITED.