

A

1

2

3

4

5

6

7

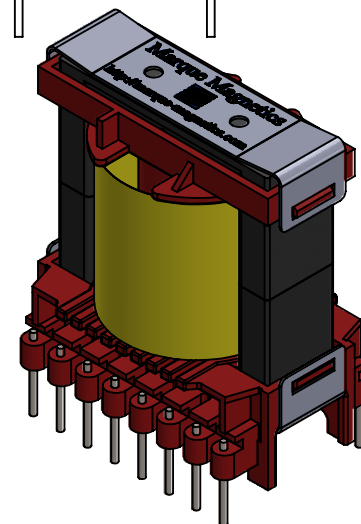
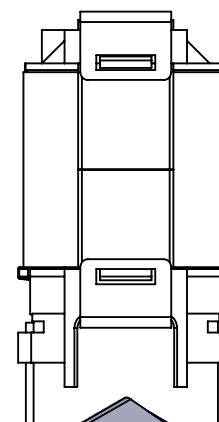
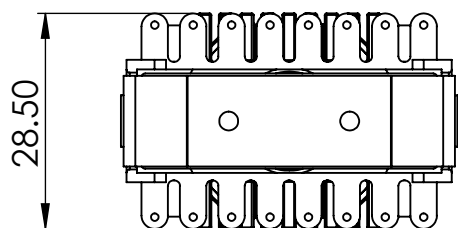
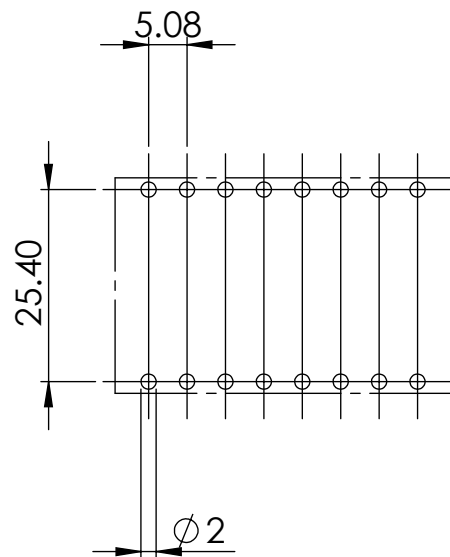
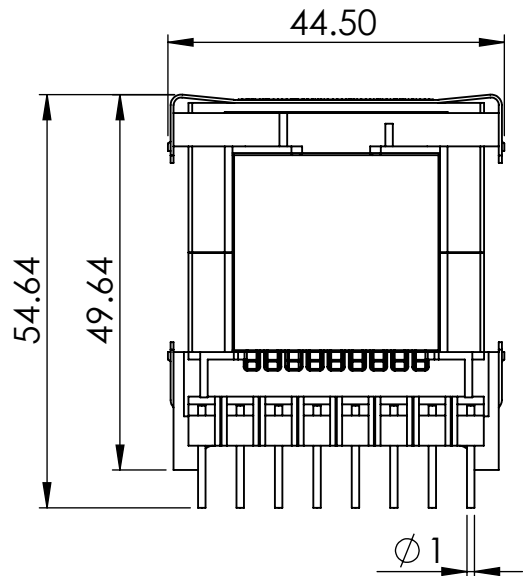
B

C

D

E

F



**Marque Magnetics (2000) LTD**  
 11 Culperry Rd. Glendene  
 Waitakere 0602  
 Auckland, New Zealand  
 Tel: +64 9 8186760  
 Fax: +64 9 8181442

	NAME	DATE
CREATE	RL	26/01/2016
APPRV	LL	26/01/2016
Note: Pin evenly distributed		

<b>TOLERANCE:</b> FRACTIONAL ± X.X ± XX XX.X ± XX XXX.X ± XX
Material:
Size:
Weight: 20.42

<b>PART :</b> ETD39 V Transformer Assembly		
<b>DESCRIPTION:</b>		
Scale: 1:1	Sheet: A4	Rev:

THE INFORMATION CONTAINED IN THIS DRAWING IS THE SOLE PROPERTY OF MARQUE MAGNETICS 2000 LTD. ANY REPRODUCTION IN PART OR AS A WHOLE WITHOUT THE WRITTEN PERMISSION OF MARQUE MAGNETICS 2000 LTD IS PROHIBITED.