

A

1

2

3

4

5

6

7

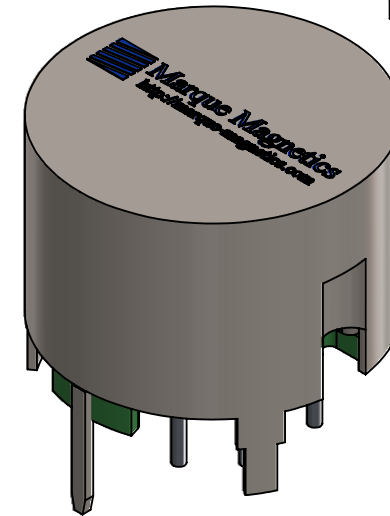
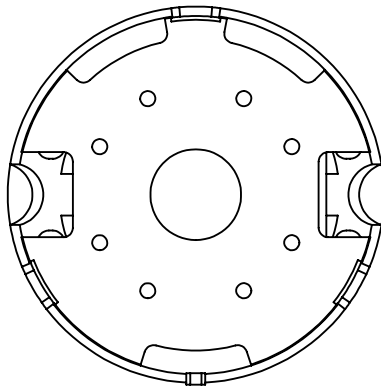
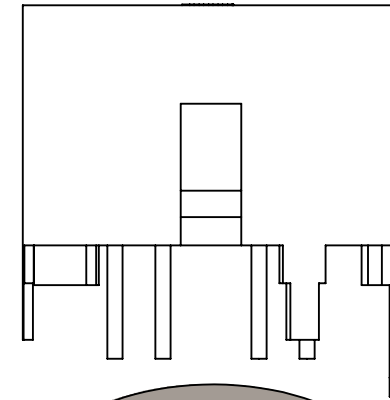
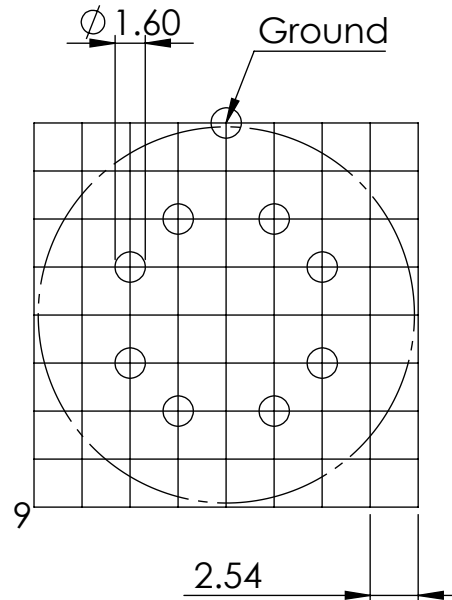
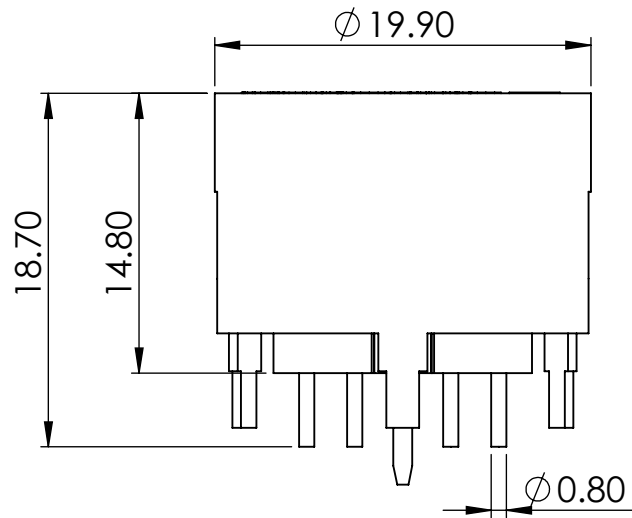
B

C

D

E

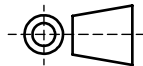
F



 **Marque Magnetics (2000) LTD**

11 Culperry Rd. Glendene  
Waitakere 0602  
Auckland, New Zealand

Tel: +64 9 8186760  
Fax: +64 9 8181442



	NAME	DATE
CREATE	RL	26/01/2016
APPRV	LL	26/01/2016
Note:	Pin symmetrically distributed	

**TOLERANCE:**

FRACTIONAL ±  
X.X ± XX  
XX.X ± XX  
XXX.X ± XX

Material:

Size:

Weight:

**PART : P18 Assembly**

**DESCRIPTION:**

Scale: 2.5:1 Sheet: A4

Rev: