

1 2 3 4 5

A

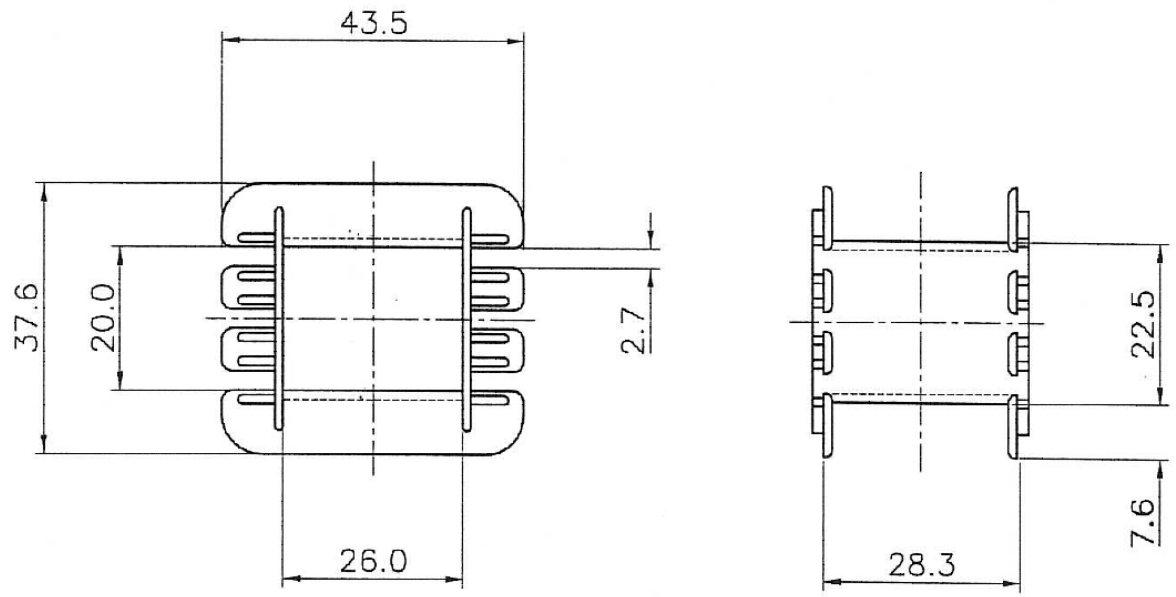
3/4" x 1" Open Slot Bobbin

Material: Nylon 66 30% glass filled
 Cat. No: 18565-071-1

B

Material: Polyester PBT 30% glass filled V0 rated
 Cat. No: 18565-181-1

C



D

E

F

Laminations:

- Beacon 1
- CAC 120
- × MEA 35
- × SANKEY 720182
- × SCOTT 120
- ATC "G"

G

Marque Magnetics (2000) LTD
 11 Culperry Rd. Glendene
 Waitakere 0602
 Auckland, New Zealand

Tel: +64 9 8186760
 Fax: +64 9 8181442

TOLERANCE: FRACTIONAL ± X.X ± XX XX.X ± XX XXX.X ± XX	PART: 120 0.75 x 1IN Plan		
	DESCRIPTION:		
Material:	Scale:	Sheet:	Rev:
Size:	1:1	A4	
Weight:			

	NAME	DATE
CREATE		26/05/2016
APPRV		26/05/2016
Note:		

H

THE INFORMATION CONTAINED IN THIS DRAWING IS THE SOLE PROPERTY OF MARQUE MAGNETICS 2000 LTD. ANY REPRODUCTION IN PART OR AS A WHOLE WITHOUT THE WRITTEN PERMISSION OF MARQUE MAGNETICS 2000 LTD IS PROHIBITED.