

1

2

3

4

5

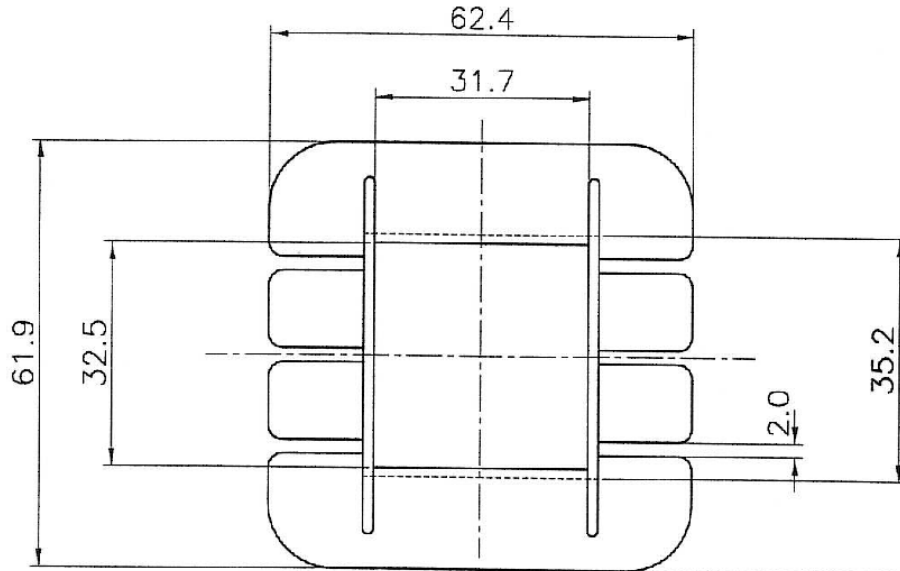
A

1 1/4" Square Open Slot Bobbin

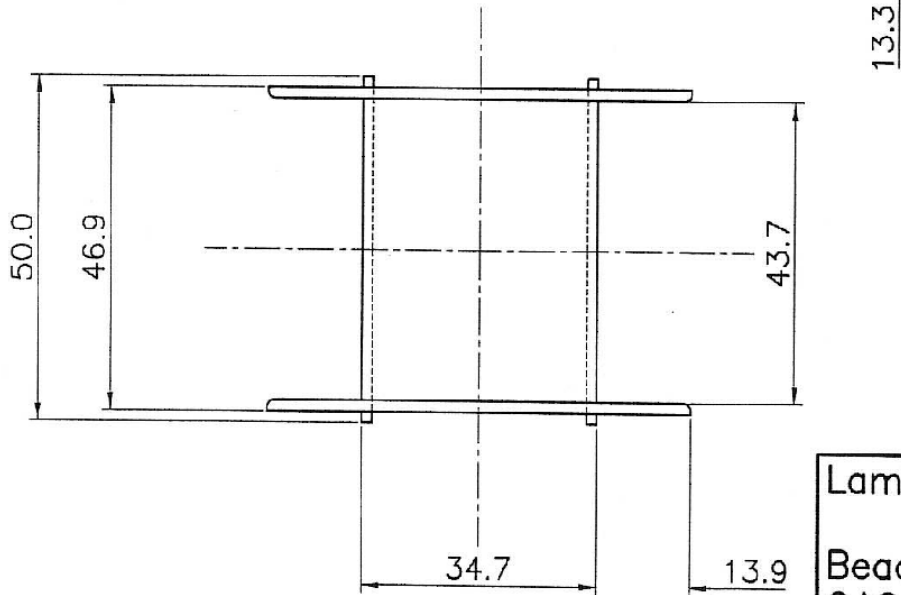
Material: Nylon 66 30% glass filled
Cat. No: 18954-071-1

Material: Polyester PBT 30% glass filled V0 rated
Cat. No: 18954-181-1

B



D



E

F

Laminations:
 Beacon 5
 CAC 174
 MEA 78
 SANKEY 720150
 ATC "K"

G

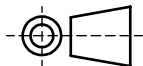
Updated 02/12/96

H

Marque Magnetics (2000) LTD

11 Culperry Rd. Glendene
Waitakere 0602
Auckland, New Zealand

Tel: +64 9 8186760
Fax: +64 9 8181442



TOLERANCE:

FRACTIONAL ±
X.X ± XX
XX.X ± XX
XXX.X ± XX

Material:

Size:

Weight:

PART:

174 1.25x1.75IN Plan

DESCRIPTION:

Scale: 1:1

Sheet: A4

Rev:

NAME

DATE

CREATE

26/05/2016

APPRV

26/05/2016

Note:

THE INFORMATION CONTAINED IN THIS DRAWING IS THE SOLE PROPERTY OF MARQUE MAGNETICS 2000 LTD. ANY REPRODUCTION IN PART OR AS A WHOLE WITHOUT THE WRITTEN PERMISSION OF MARQUE MAGNETICS 2000 LTD IS PROHIBITED.