

1

2

3

4

5

A

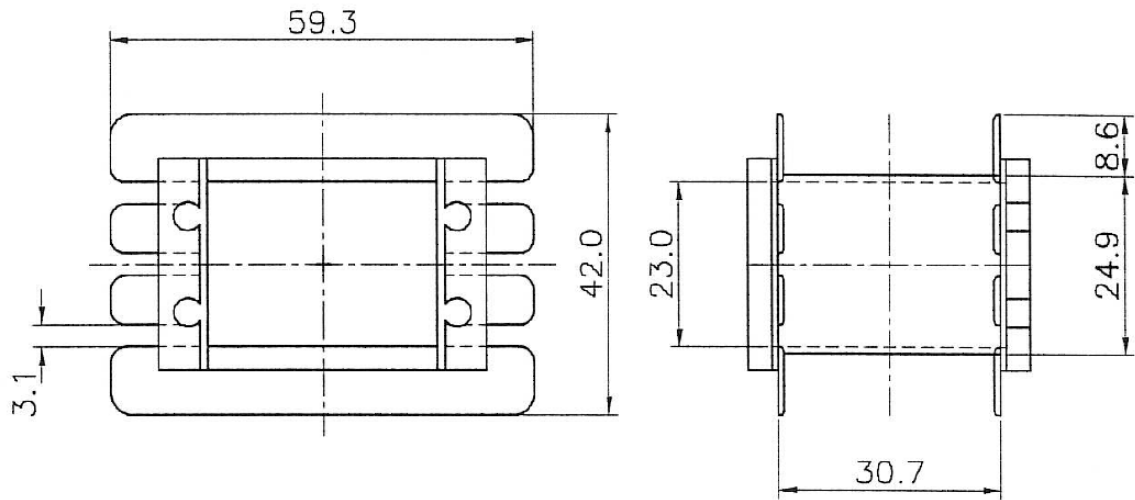
7/8" x 1 1/4" Bobbin

Material: Nylon 66 30% glass filled
Cat. No: 32794-071-1

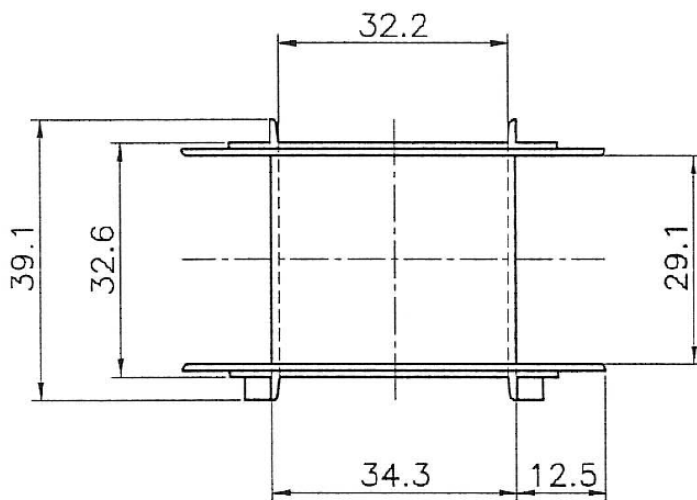
B

Material: Polyester PBT 30% glass filled V0 rated
Cat. No: 32794-181-1

C



D



E

F

Laminations:

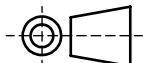
BEACON 2
CAC 279
MEA 147
SANKEY 720184-196
SCOTT 279A
ATC "H"

G

Marque Magnetics (2000) LTD

11 Culperry Rd. Glendene
Waitakere 0602
Auckland, New Zealand

Tel: +64 9 8186760
Fax: +64 9 8181442



H

TOLERANCE:

FRACTIONAL ±
X.X ± XX
XX.X ± XX
XXX.X ± XX

Material:

Size:

Weight:

PART:

279 0.875 x 1.25IN Plan

DESCRIPTION:

Scale:
1:1

Sheet:
A4

Rev:

NAME

DATE

CREATE

26/05/2016

APPRV

26/05/2016

Note:

THE INFORMATION CONTAINED IN THIS DRAWING IS THE SOLE PROPERTY OF MARQUE MAGNETICS 2000 LTD. ANY REPRODUCTION IN PART OR AS A WHOLE WITHOUT THE WRITTEN PERMISSION OF MARQUE MAGNETICS 2000 LTD IS PROHIBITED.