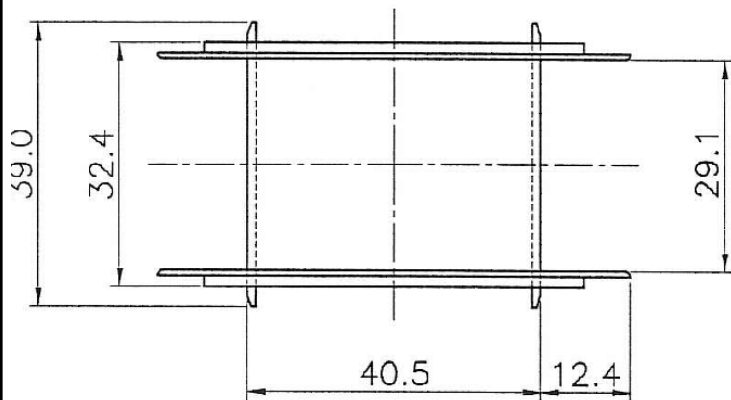
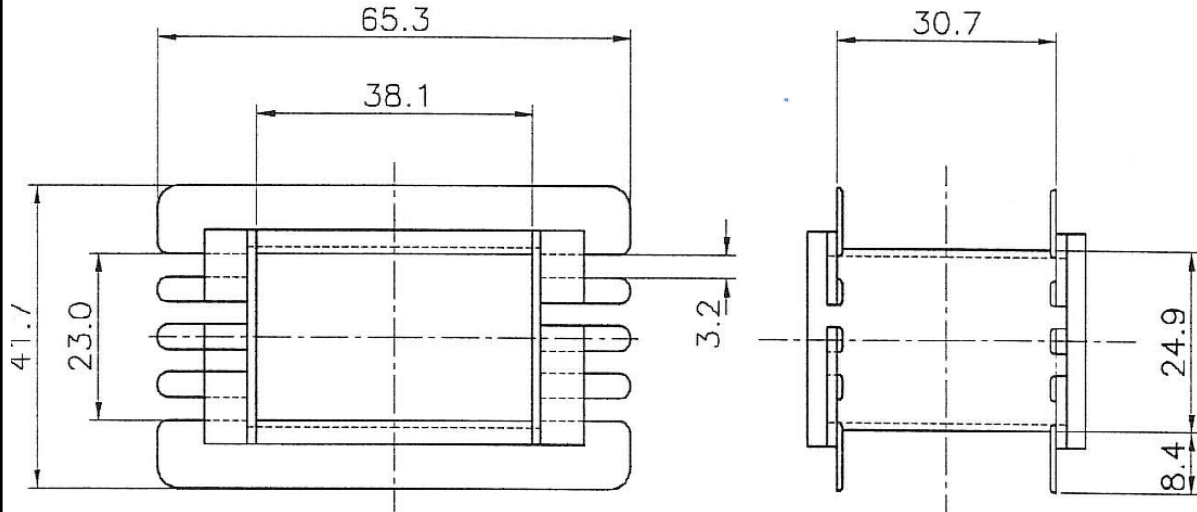


7/8" x 38mm Bobbin

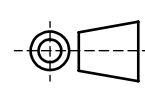
Material: Nylon 66 30% glass filled  
 Cat. No: 43666-071-1

Material: Polyester PBT 30% glass filled V0 rated  
 Cat. No: 43666-181-1



Laminations:  
 BEACON 2  
 CAC 279  
 MEA 147  
 SANKEY 720184-196  
 SCOTT 279A  
 ATC "H"

**Marque Magnetics (2000) LTD**  
 11 Culperry Rd. Glendene  
 Waitakere 0602  
 Auckland, New Zealand  
 Tel: +64 9 8186760  
 Fax: +64 9 8181442



<b>TOLERANCE:</b>		<b>PART:</b>	
FRACTIONAL ±		279 0.875 x 1.5 IN Plan	
X.X ± XX		<b>DESCRIPTION:</b>	
XX.X ± XX			
XXX.X ± XX			
Material:		Scale: 1:1	
Size:		Sheet: A4	
Weight:		Rev:	

	NAME	DATE
CREATE		26/05/2016
APPRV		26/05/2016
Note:		

THE INFORMATION CONTAINED IN THIS DRAWING IS THE SOLE PROPERTY OF MARQUE MAGNETICS 2000 LTD. ANY REPRODUCTION IN PART OR AS A WHOLE WITHOUT THE WRITTEN PERMISSION OF MARQUE MAGNETICS 2000 LTD IS PROHIBITED.