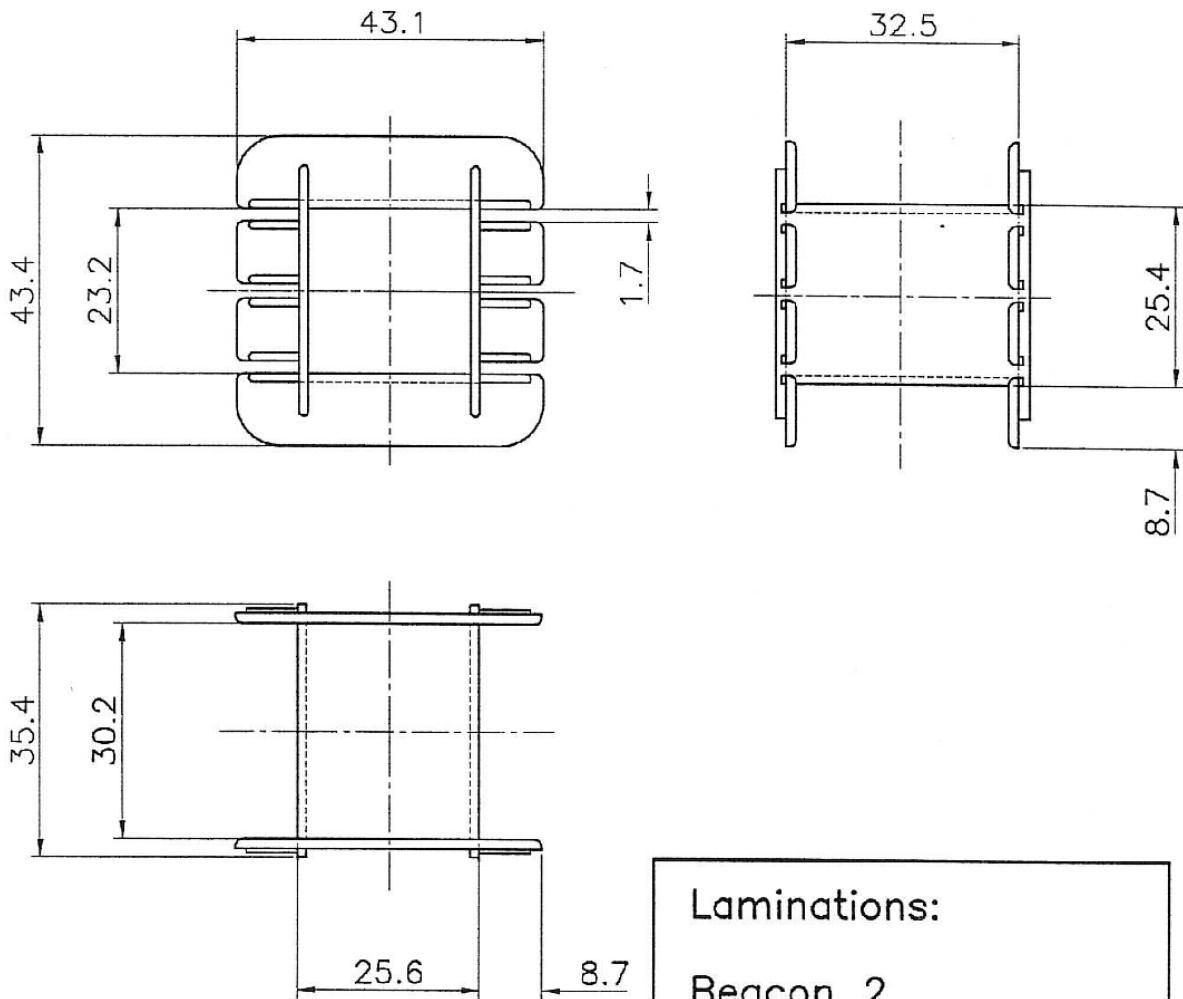


7/8" Square Open Slot Bobbin

Material: Nylon 66 30% glass filled
 Cat. No: 11557-071-1

Material: Polyester PBT 30% glass filled V0 rated
 Cat. No: 11557-181-1



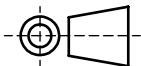
Laminations:

Beacon 2
 CAC 279
 MEA 147
 SANKEY 720184-196
 SCOTT 279 A
 ATC "H"

Marque Magnetics (2000) LTD

11 Culperry Rd. Glendene
 Waitakere 0602
 Auckland, New Zealand

Tel: +64 9 8186760
 Fax: +64 9 8181442



TOLERANCE:

FRACTIONAL ±
 X.X ± XX
 XX.X ± XX
 XXX.X ± XX

Material:

Size:

Weight:

PART:

279 7x8IN SQ Plan

DESCRIPTION:

Scale:
1:1

Sheet:
A4

Rev:

NAME

DATE

CREATE

25/05/2016

APPRV

25/05/2016

Note:

THE INFORMATION CONTAINED IN THIS DRAWING IS THE SOLE PROPERTY OF MARQUE MAGNETICS 2000 LTD. ANY REPRODUCTION IN PART OR AS A WHOLE WITHOUT THE WRITTEN PERMISSION OF MARQUE MAGNETICS 2000 LTD IS PROHIBITED.