

1 2 3 4 5

A

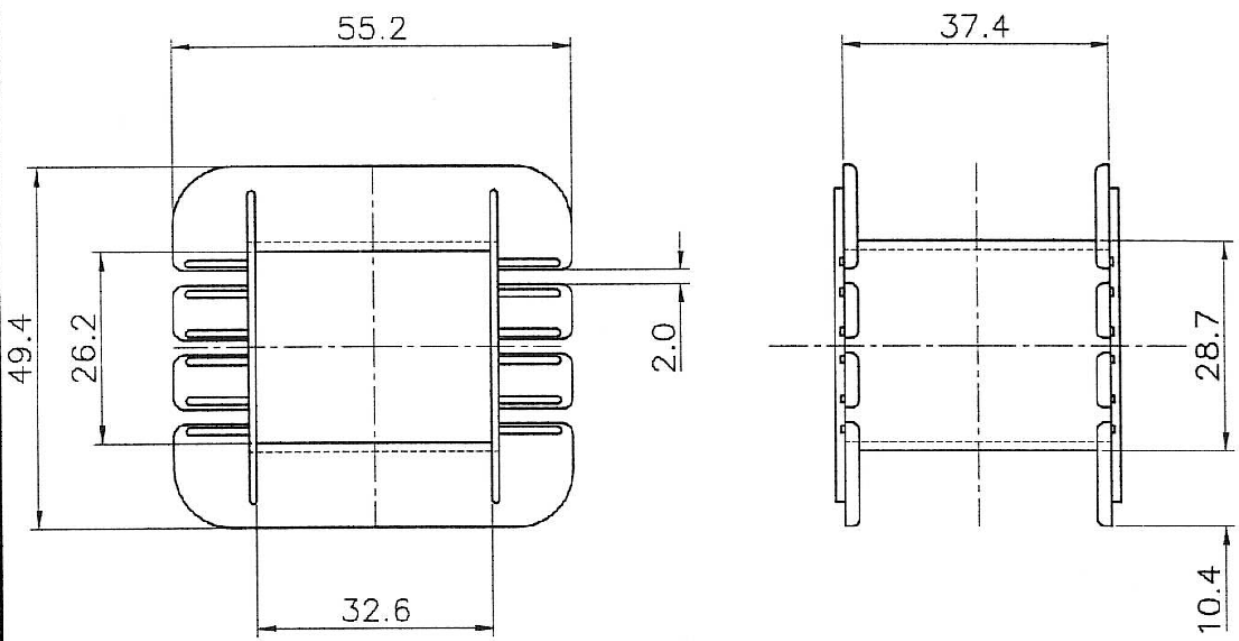
1" x 1 1/4" Open Slot Bobbin

Material: Nylon 66 30% glass filled
 Cat. No: 16829-071-1

B

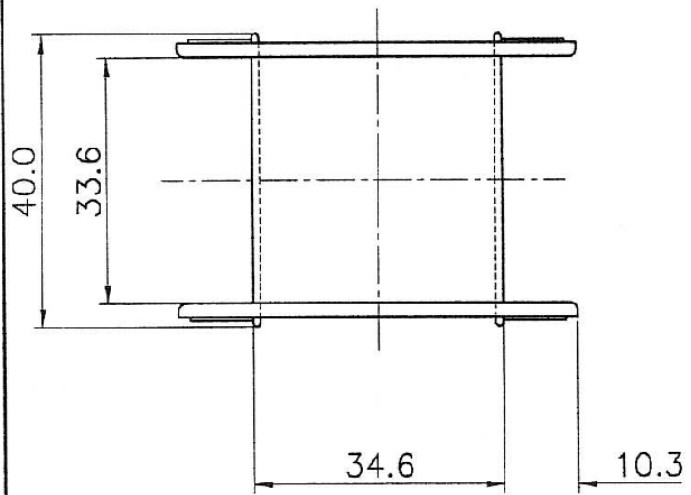
Material: Polyester PBT 30% glass filled V0 rated
 Cat. No: 16829-181-1

C



D

E



F

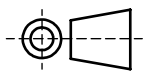
Laminations:
 Beacon 3
 CAC 43A
 MEA 29A
 SANKEY 720186-138
 SCOTT 43A
 ATC "1"

G

Marque Magnetics (2000) LTD

11 Culperry Rd. Glendene
 Waitakere 0602
 Auckland, New Zealand

Tel: +64 9 8186760
 Fax: +64 9 8181442



TOLERANCE:		PART:	
FRACTIONAL ±		43 1x1.25 IN Plan	
X.X ± XX		DESCRIPTION:	
XX.X ± XX			
XXX.X ± XX			
Material:		Scale: 1:1	
Size:		Sheet: A4	
Weight:		Rev:	

	NAME	DATE
CREATE		26/05/2016
APPRV		26/05/2016
Note:		

H

THE INFORMATION CONTAINED IN THIS DRAWING IS THE SOLE PROPERTY OF MARQUE MAGNETICS 2000 LTD. ANY REPRODUCTION IN PART OR AS A WHOLE WITHOUT THE WRITTEN PERMISSION OF MARQUE MAGNETICS 2000 LTD IS PROHIBITED.