

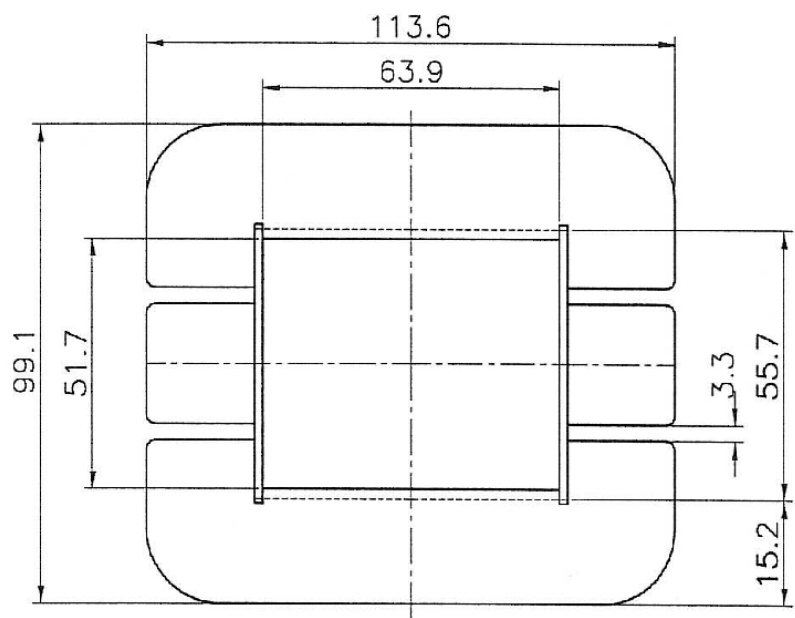
A

2" x 2 1/2" Open Slot Bobbin

Material: Nylon 66 30% glass filled
 Cat. No: 9552-071-1

Material: Polyester PBT 30% glass filled V0 rated
 Cat. No: 9552-181-1

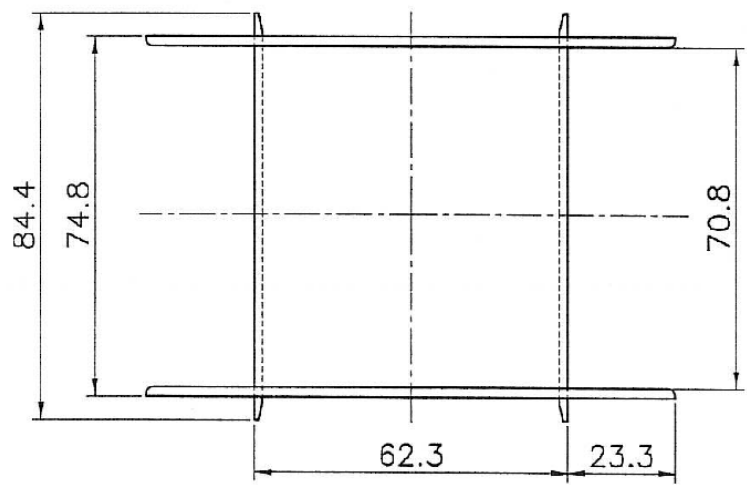
B



C

D

E



F

G

SCALE: 70% FULL SIZE
 Updated 05/08/98

Laminations:
 SANKEY 720191
 ATC "P"
 AMC E1150

H

Marque Magnetics (2000) LTD
 11 Culperry Rd. Glendene
 Waitakere 0602
 Auckland, New Zealand
 Tel: +64 9 8186760
 Fax: +64 9 8181442

TOLERANCE: FRACTIONAL ± X.X ± XX XX.X ± XX XXX.X ± XX		PART: P 2x2.5IN Plan	
Material:		DESCRIPTION:	
Size:			
Weight:			
Scale:	Sheet:	Rev:	
1:1	A4		

	NAME	DATE
CREATE		26/05/2016
APPRV		26/05/2016
Note:		

THE INFORMATION CONTAINED IN THIS DRAWING IS THE SOLE PROPERTY OF MARQUE MAGNETICS 2000 LTD. ANY REPRODUCTION IN PART OR AS A WHOLE WITHOUT THE WRITTEN PERMISSION OF MARQUE MAGNETICS 2000 LTD IS PROHIBITED.