

A

1

2

3

4

5

6

7

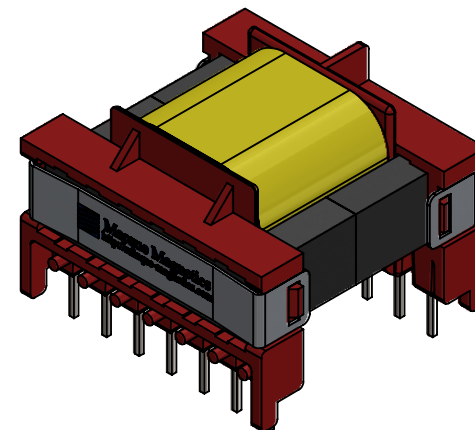
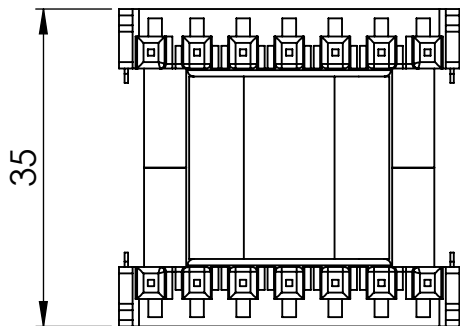
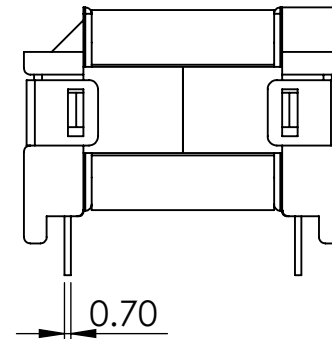
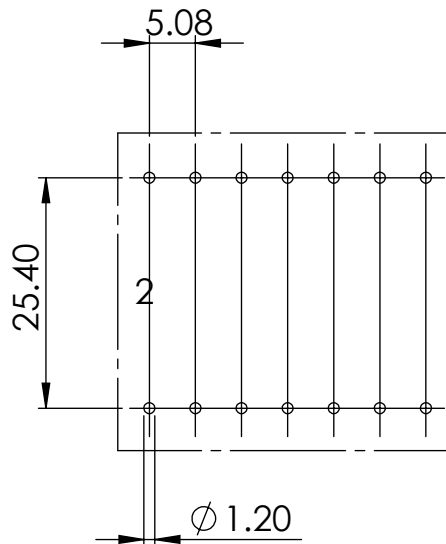
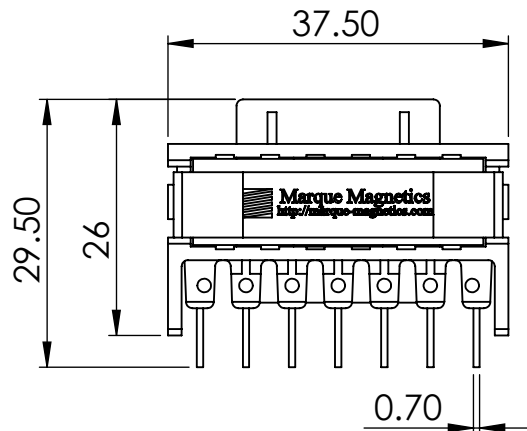
B

C

D

E

F



Marque Magnetics (2000) LTD
 11 Culperry Rd. Glendene
 Waitakere 0602
 Auckland, New Zealand
 Tel: +64 9 8186760
 Fax: +64 9 8181442

	NAME	DATE
CREATE	RL	25/01/2016
APPRV	LL	25/01/2016
Note: Pin evenly distributed		

TOLERANCE: FRACTIONAL ± X.X ± XX XX.X ± XX XXX.X ± XX		PART : EF32 Transformer	
Material:		DESCRIPTION: Assembly	
Size:			
Weight:	Scale: 1.2:1	Sheet: A4	Rev: