

A

1

2

3

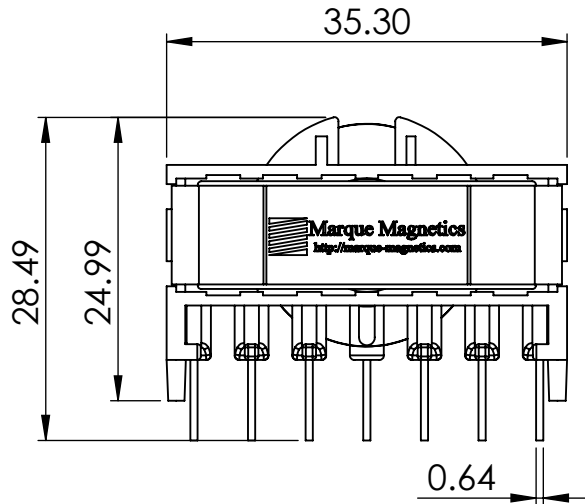
4

5

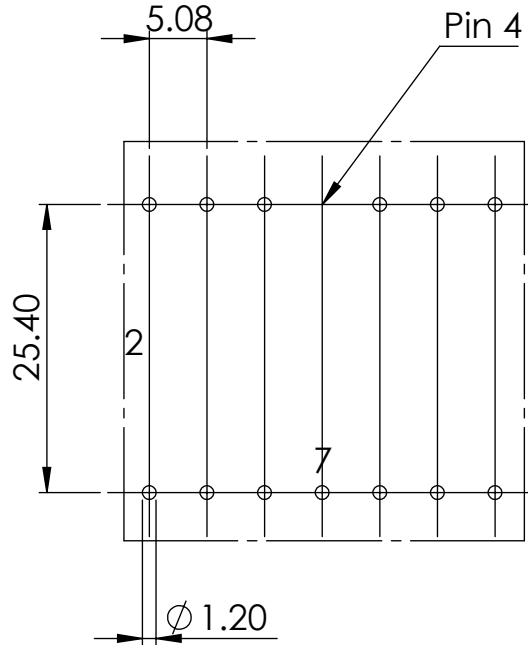
6

7

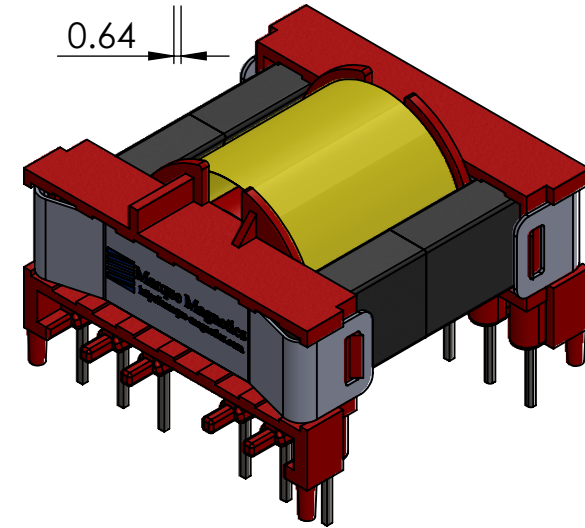
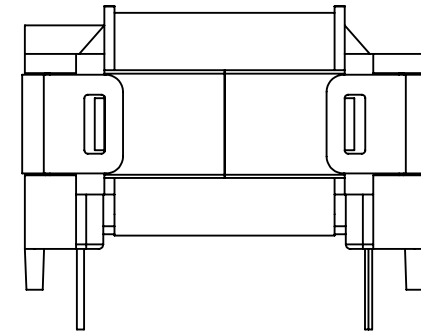
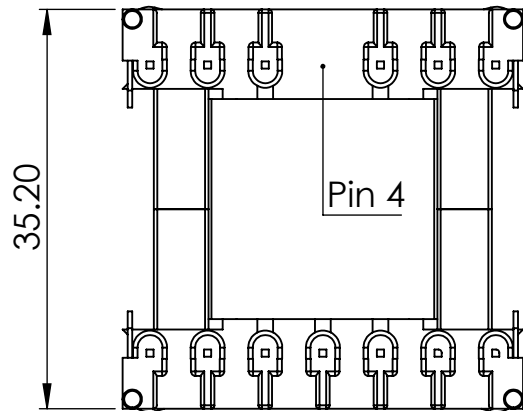
B



C



D

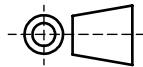


E

Marque Magnetics (2000) LTD

11 Culperry Rd. Glendene
Waitakere 0602
Auckland, New Zealand

Tel: +64 9 8186760
Fax: +64 9 8181442



F

	NAME	DATE
CREATE	RL	25/01/2016
APPRV	LL	25/01/2016
Note: Pin evenly distributed beside pin 4		

TOLERANCE:		PART : ETD29 H Transformer Assembly	
FRACTIONAL ±		DESCRIPTION:	
X.X ± XX			
XX.X ± XX			
XXX.X ± XX			
Material:		Scale: 1.5:1 Sheet: A4 Rev:	
Size:			
Weight: 9.78			