

A

1

2

3

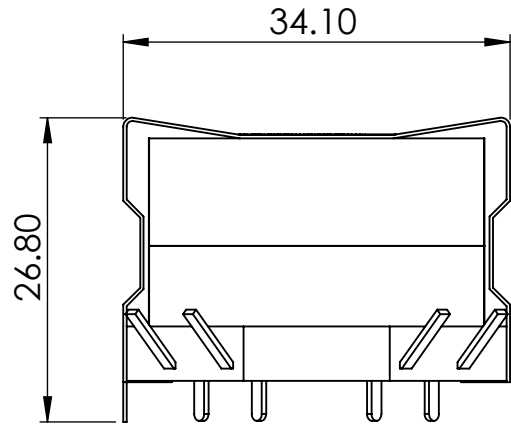
4

5

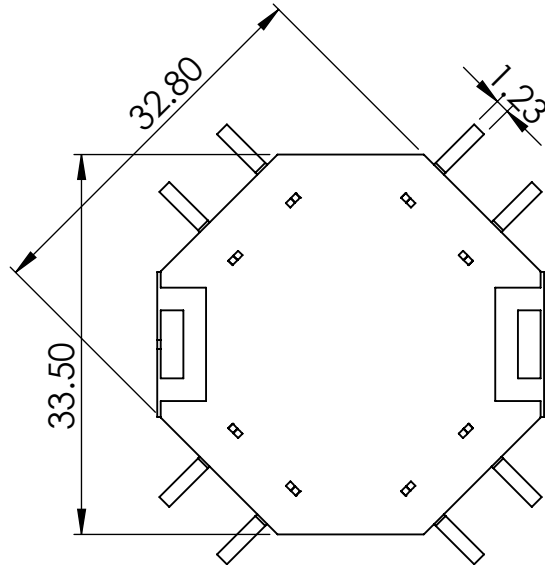
6

7

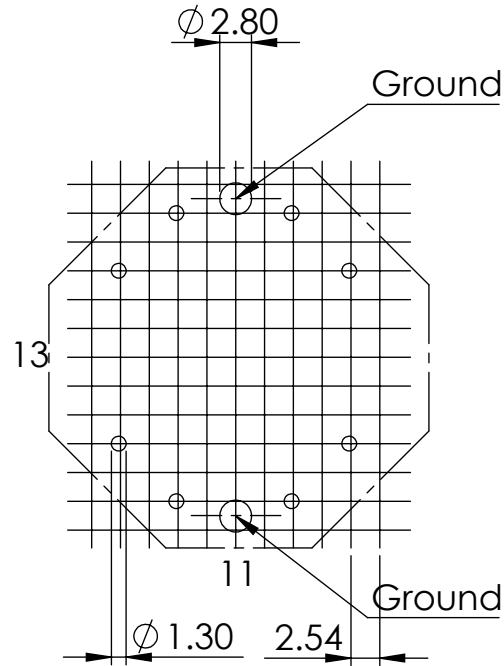
B



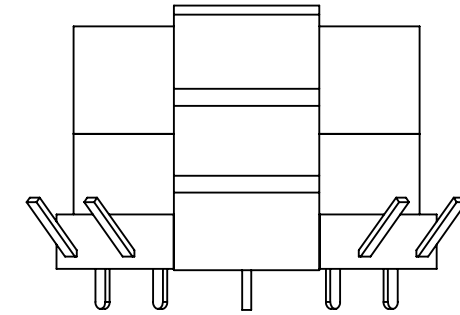
C



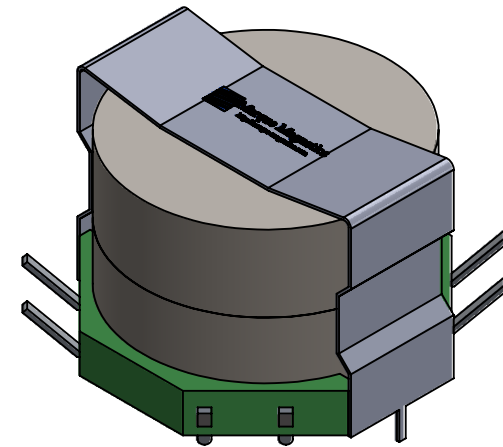
D



E



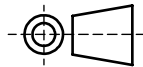
F



Marque Magnetix (2000) LTD

11 Culperry Rd. Glendene
Waitakere 0602
Auckland, New Zealand

Tel: +64 9 8186760
Fax: +64 9 8181442



	NAME	DATE
CREATE	RL	18/01/2016
APPRV	LL	18/01/2016
Note:	Pin symmetrically distributed	

TOLERANCE:

FRACTIONAL ±
X.X ± XX
XX.X ± XX
XXX.X ± XX

Material:

Size:

Weight:

PART : P30 Assembly

DESCRIPTION:

Scale: 1.5:1 Sheet: A4

Rev: