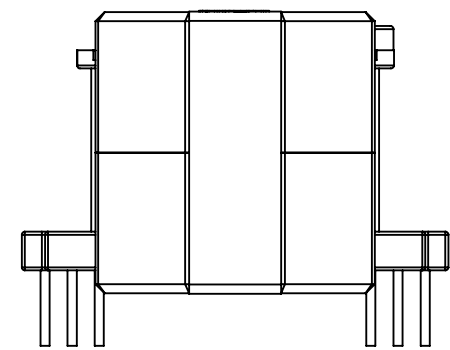
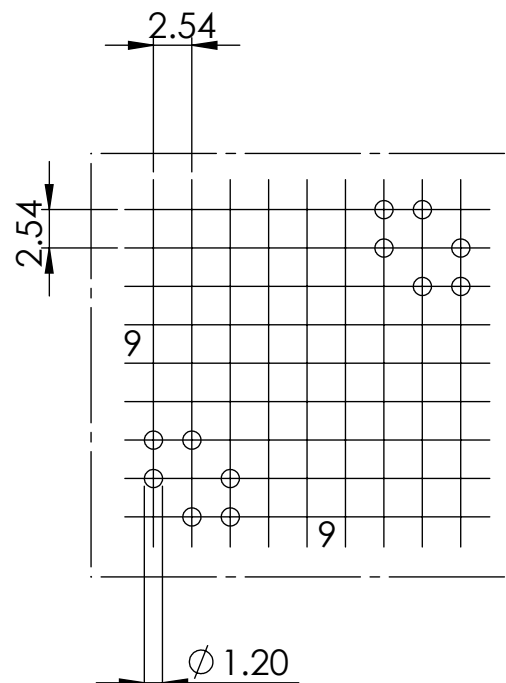
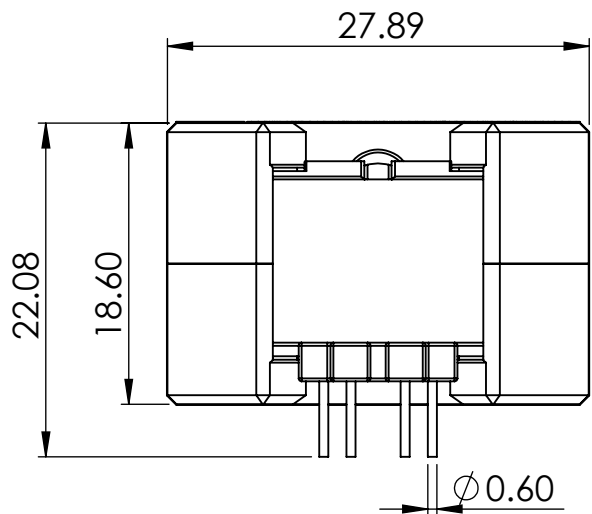


A

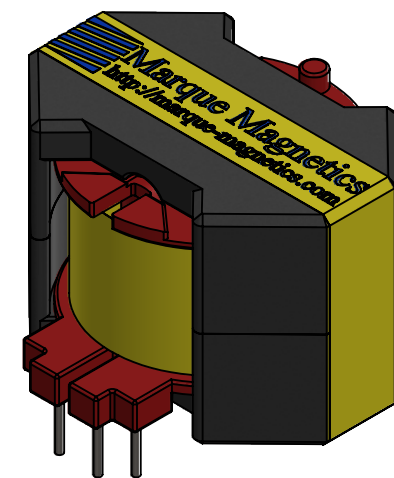
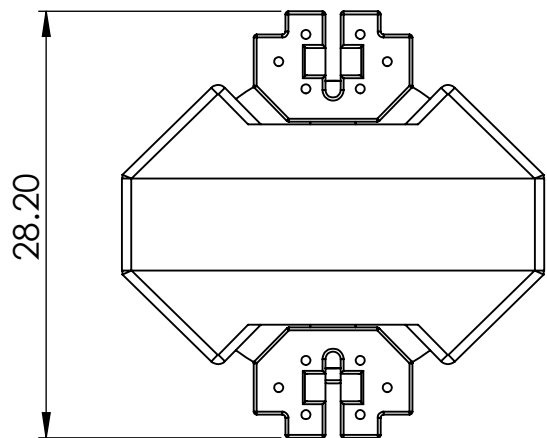
1 2 3 4 5 6 7



B

C

D



E

Marque Magnetics (2000) LTD
 11 Culperry Rd. Glendene
 Waitakere 0602
 Auckland, New Zealand
 Tel: +64 9 8186760
 Fax: +64 9 8181442

	NAME	DATE
CREATE	RL	26/01/2016
APPRV	LL	26/01/2016
Note:	Pin symmetrically distributed	

TOLERANCE: FRACTIONAL ± X.X ± XX XX.X ± XX XXX.X ± XX
Material:
Size:
Weight:

PART : RM10 TH Transformer Assembly
DESCRIPTION:
Scale: 2:1 Sheet: A4 Rev:

F

THE INFORMATION CONTAINED IN THIS DRAWING IS THE SOLE PROPERTY OF MARQUE MAGNETICS 2000 LTD. ANY REPRODUCTION IN PART OR AS A WHOLE WITHOUT THE WRITTEN PERMISSION OF MARQUE MAGNETICS 2000 LTD IS PROHIBITED.