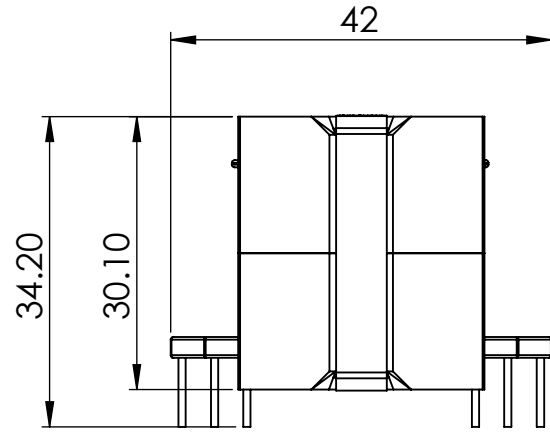
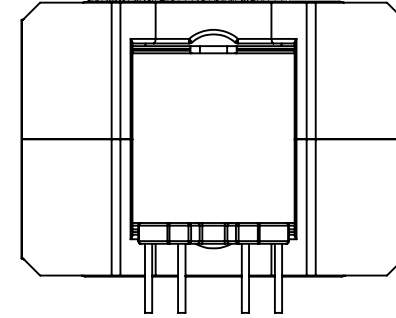


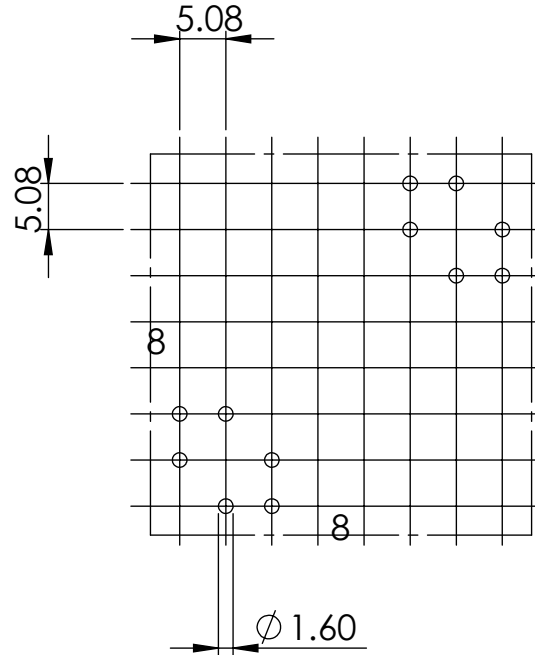
A



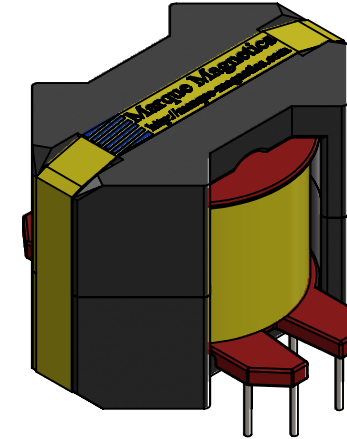
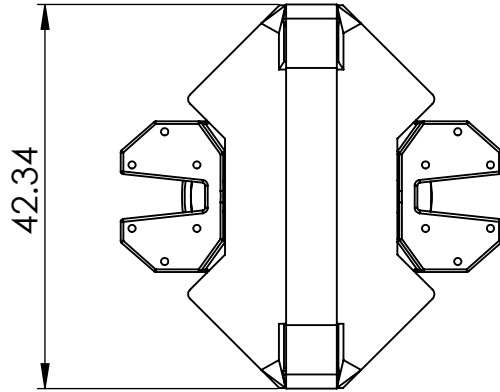
B



C



D



E

Marque Magnetics (2000) LTD
 11 Culperry Rd. Glendene
 Waitakere 0602
 Auckland, New Zealand
 Tel: +64 9 8186760
 Fax: +64 9 8181442

	NAME	DATE
CREATE	RL	27/01/2016
APPRV	LL	27/01/2016
Note: Pin symmetrically distributed		

TOLERANCE:	
FRACTIONAL ±	
X.X ± XX	
XX.X ± XX	
XXX.X ± XX	
Material:	
Size:	
Weight:	

PART : RM14 TH Transformer Assembly		
DESCRIPTION:		
Scale: 1.2:1	Sheet: A4	Rev:

F

THE INFORMATION CONTAINED IN THIS DRAWING IS THE SOLE PROPERTY OF MARQUE MAGNETICS 2000 LTD. ANY REPRODUCTION IN PART OR AS A WHOLE WITHOUT THE WRITTEN PERMISSION OF MARQUE MAGNETICS 2000 LTD IS PROHIBITED.