

A

1

2

3

4

5

6

7

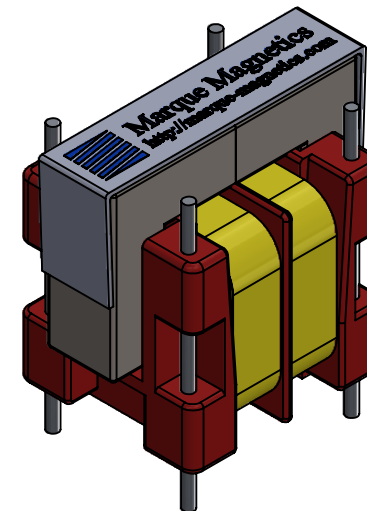
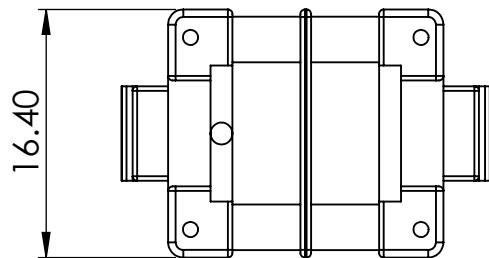
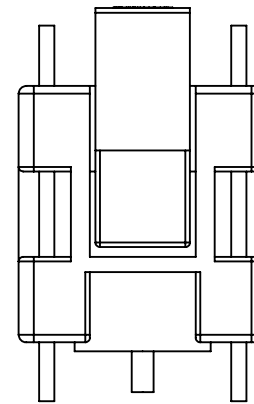
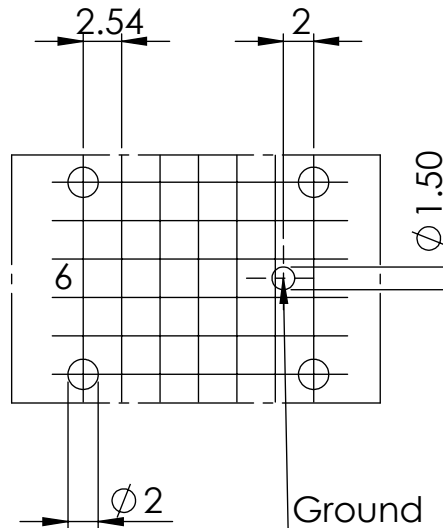
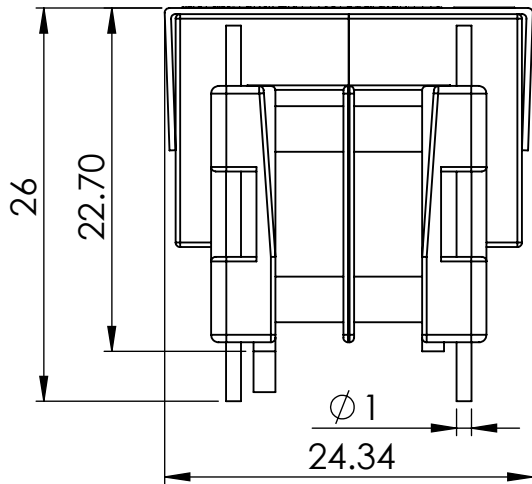
B

C

D

E

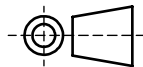
F



 **Marque Magnetics (2000) LTD**

11 Culperry Rd. Glendene
Waitakere 0602
Auckland, New Zealand

Tel: +64 9 8186760
Fax: +64 9 8181442



	NAME	DATE
CREATE	RL	27/01/2016
APPRV	LL	27/01/2016
Note: Pin evenly distributed		

TOLERANCE:		PART : U15 Assembly	
FRACTIONAL ±		DESCRIPTION:	
X.X ± XX			
XX.X ± XX			
XXX.X ± XX			
Material:			
Size:			
Weight:		Scale: 2:1	Sheet: A4
		Rev:	